

● CABLE CAT5 / WIRES PIPE

■ AREA RECOMENDADA / RECOMMENDED AREA

■ NO RECOMENDADA / NOT RECOMMENDED AREA

* Si se utiliza el área roja y su cable CAT5 es más grueso que el estándar de 5mm, la pared puede hacer presión al cable y desenchufarlo.

* Si utiliza un cable 5mm CAT5 estándar la zona elegida no es importante.

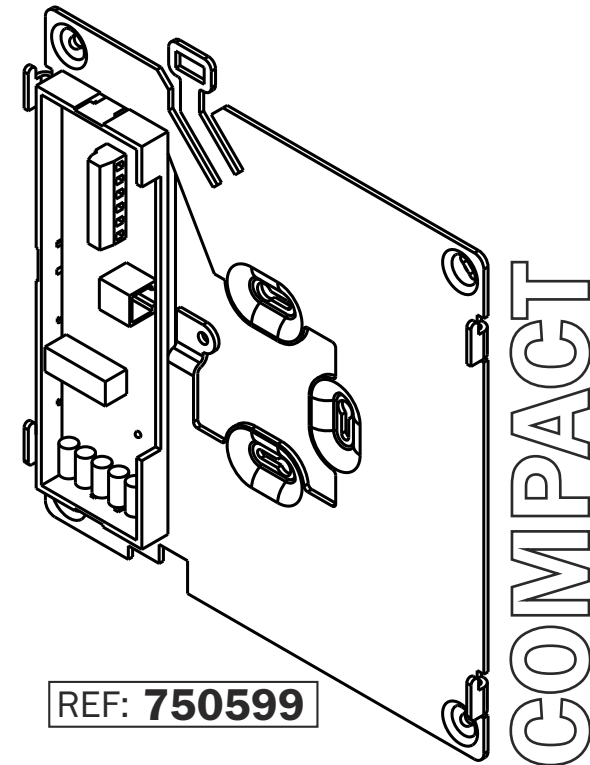
* De todos modos, para evitar problemas, se aconseja utilizar la zona verde.

* If you use the red area to fix the pipe/bracket and your CAT5 is thicker than the standard 5mm one, the wall can do pressure to the wire and unplug it.

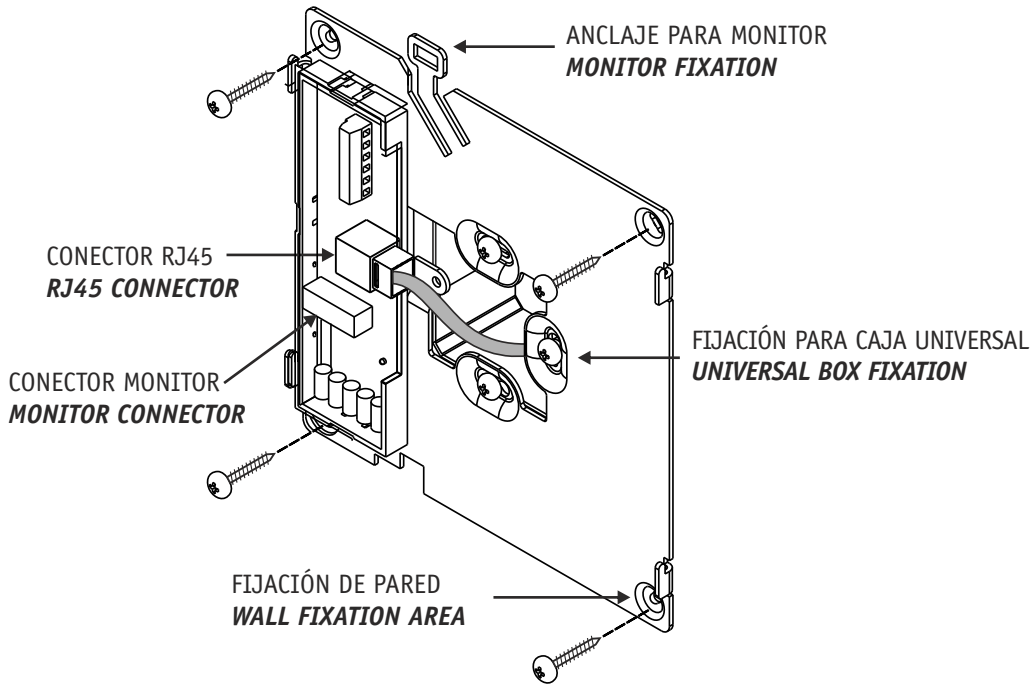
* If you use a standard 5mm CAT5 the chosen area it's doesn't matters because the screws has 7mm and the wall will not do any pressure.

* Anyway to save you from irregular wall finish or problems in the wal Auta advice you to use the green area to do the fix of the bracket

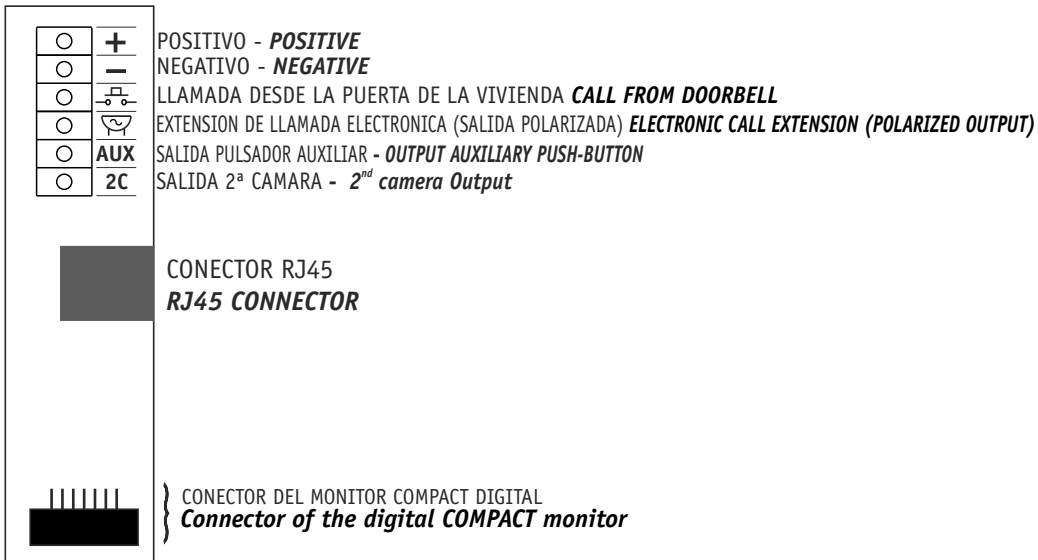
MÓDULO DE CONEXIÓN COMPACT DIGITAL P&P



REF: 750599

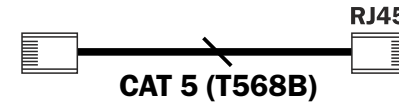


Módulo de conexión - **Module of connection**

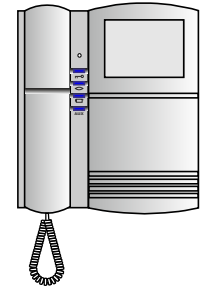


INSTALLATION

DESDE EL HUB-8C
FROM HUB-8C

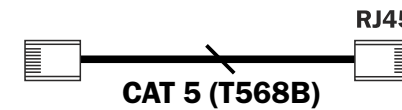


MAIN



PUENTE JUMPER J2	1 ●	MONITOR PRINCIPAL MAIN MONITOR	PUENTE JUMPER J1	1 ●	AUTOENCENDIDO OFF SELF-STARTING OFF
	2 ●	QUITAR EL PUENTE REMOVE JUMPER		2 ●	SELF-STARTING OFF
	3 ●			3 ●	
	1 ●	MONITOR SECUNDARIO AUXILIARY MONITOR		1 ●	AUTOENCENDIDO ON SELF-STARTING ON
	2 ●			2 ●	
	3 ●			3 ●	

DESDE UNA SALIDA
DIFERENTE AL HUB-8C
**FROM A DIFFERENT
HUB-8C OUTPUT**



SECONDARY

