



DIGITAL MONITOR



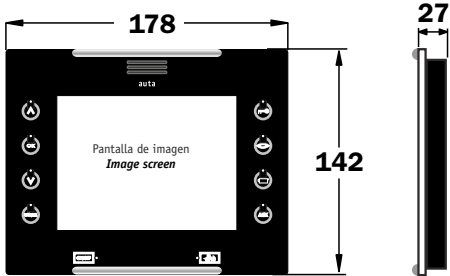
avant 2.0

TFT monitor with a flat screen of 5'6 inches. Digital technology based with hands-free communication that, allows the wiring of a standard installation with a riser of 4 wires + (coax or twisted pairs). Capacitive touch panel, on screen configuration menus, volume adjust, multi-tone function that allows identifying the origin of the call (from the main access, the secondary access or the housing's door).

Characteristics:

- A Surface installation and mounting box installation.
- A ABS plastic injected
- A Brightness, colour and contrast adjust.
- A Multi-tone function.
- A Volume adjust.
- A Two auxiliary keys.
- A 5.6 inches TFT-LCD module
- A Scanning frequency 15625 Hz (H) x 50 Hz (V)
- A Input signal 1Vpp (75om) in composite video.
- A Power supply 24Vcc / 0.5A.

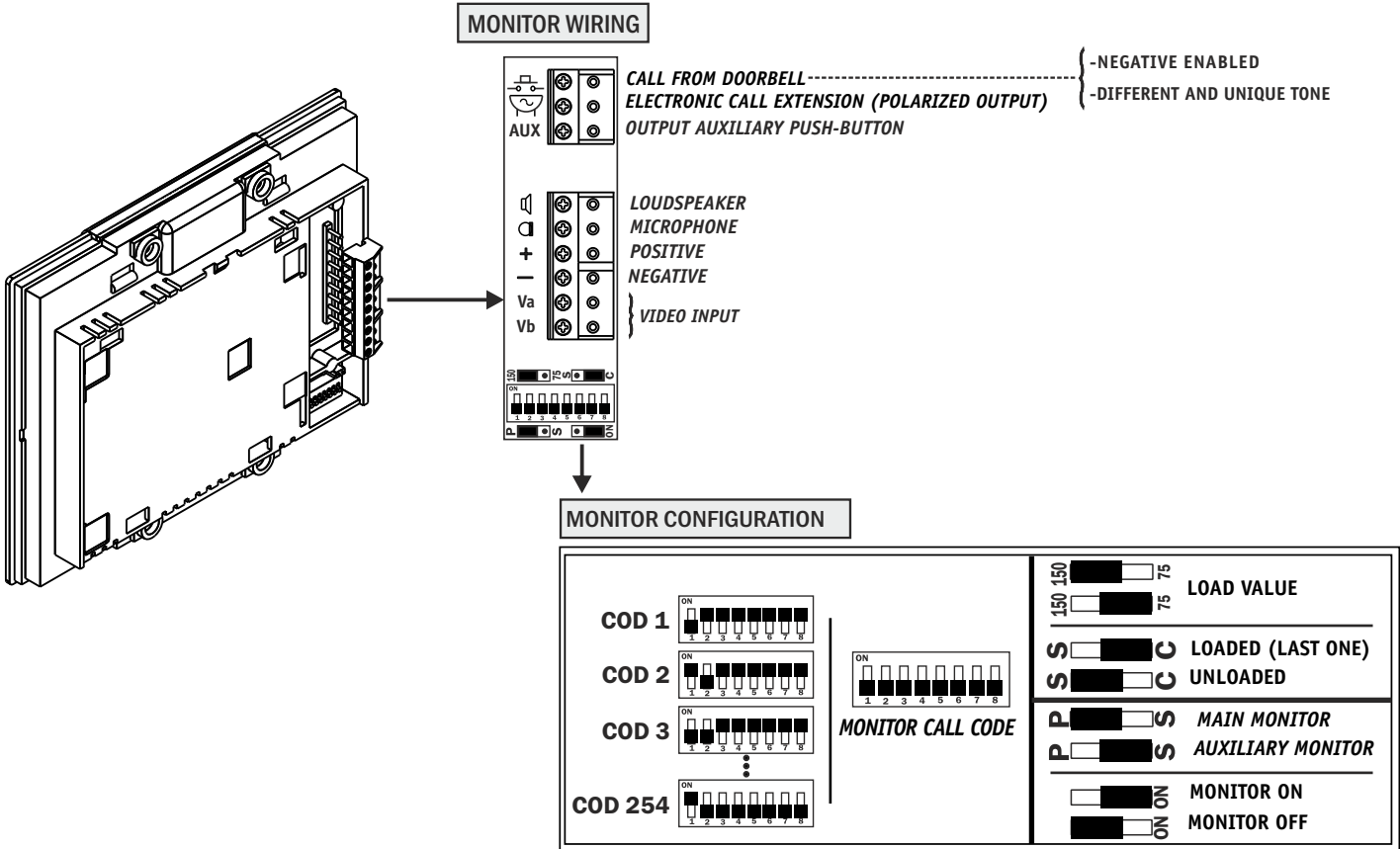
Dimensions (mm)



Description

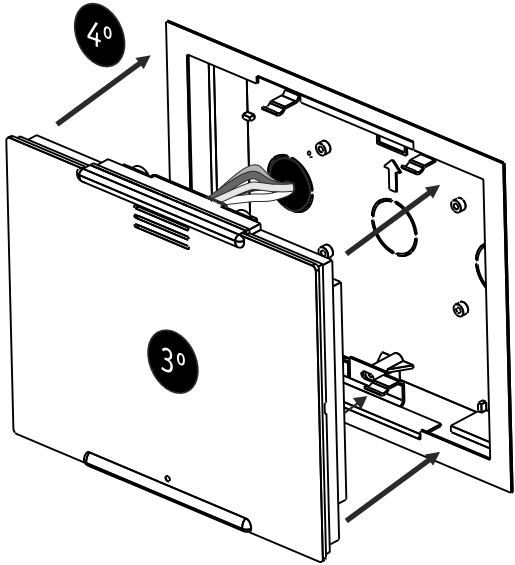
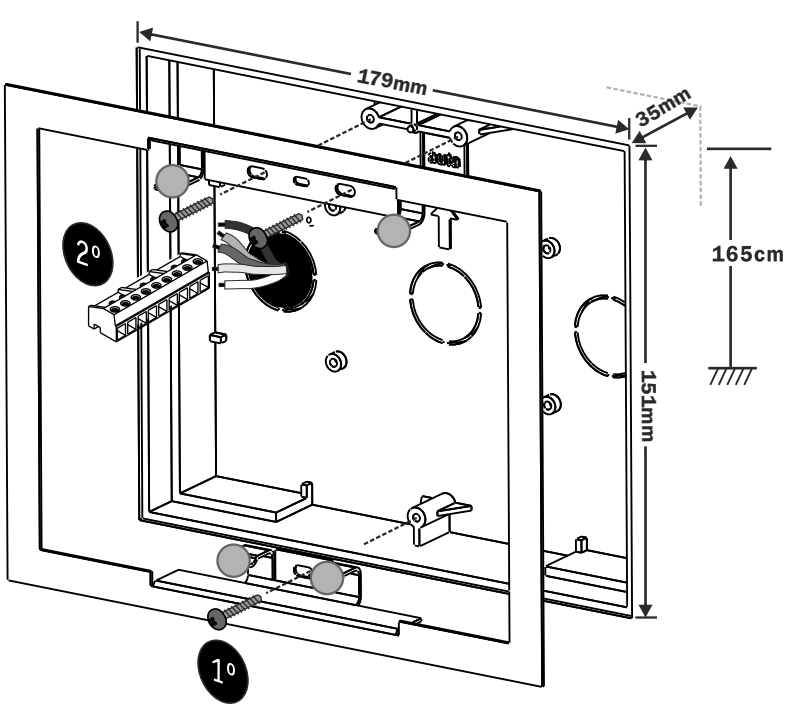


Installation



BUILT-IN

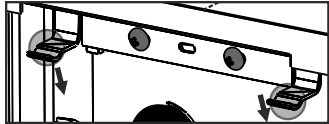
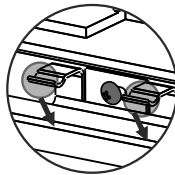
- 1°- Fix the frame to the mounting box with the provided screws. The frame allows adjusting little deviations of the mounting box.
- 2°- Remove the terminal blocks of the monitor and proceed with the wiring.
- 3°- Configure the monitor and plug the terminal blocks again to the monitor. (see page 2)
- 4°- Insert the monitor into the frame.



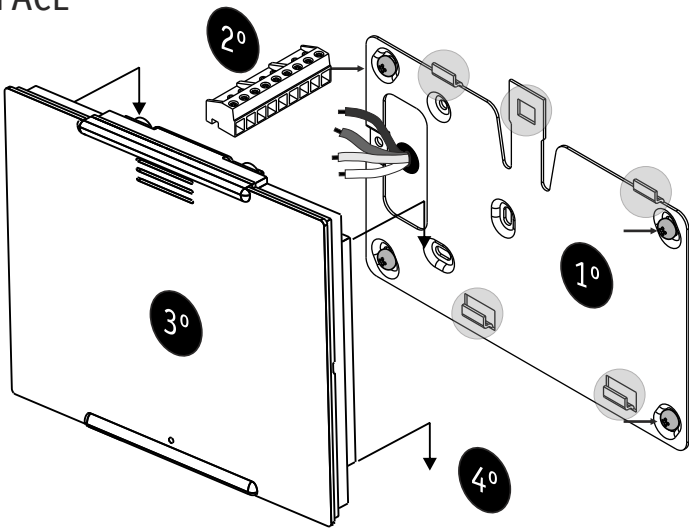
Note: When the monitor is placed into the frame, if you feel it is not firmly fixed, bend slightly the fixing points of the frame to increase the fastening.

LOWER FIXING POINTS

UPPER FIXING POINTS



SURFACE

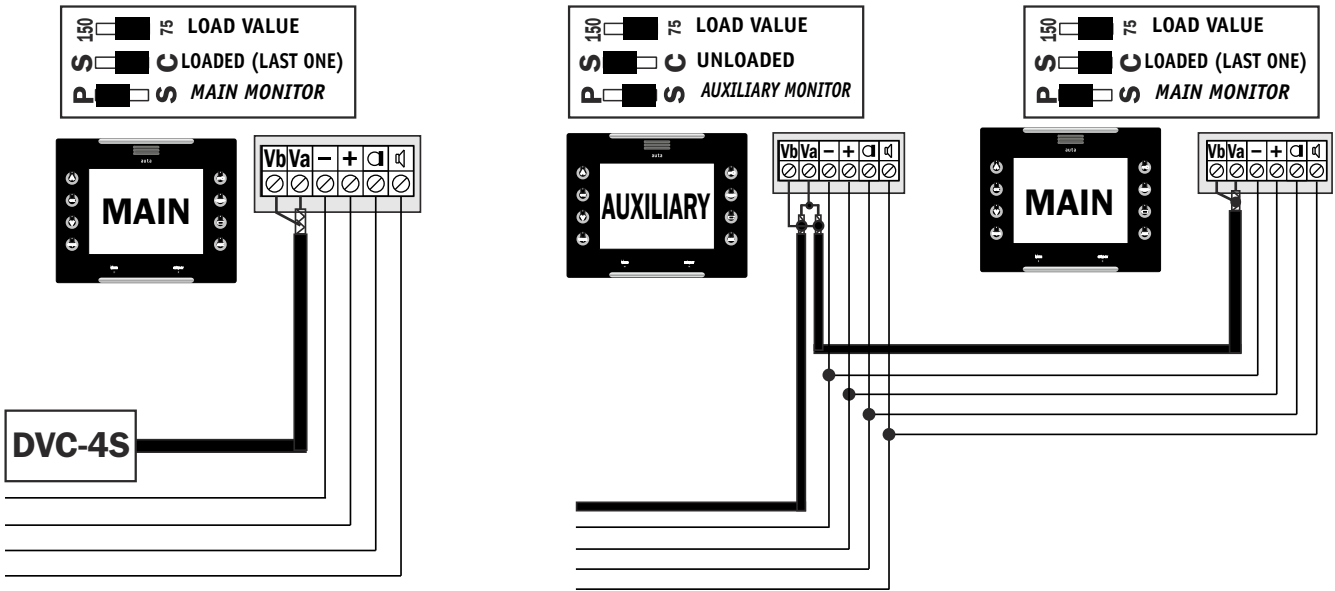


- MONITOR FIXING POINTS
- FIXING THE MONITOR TO THE WALL

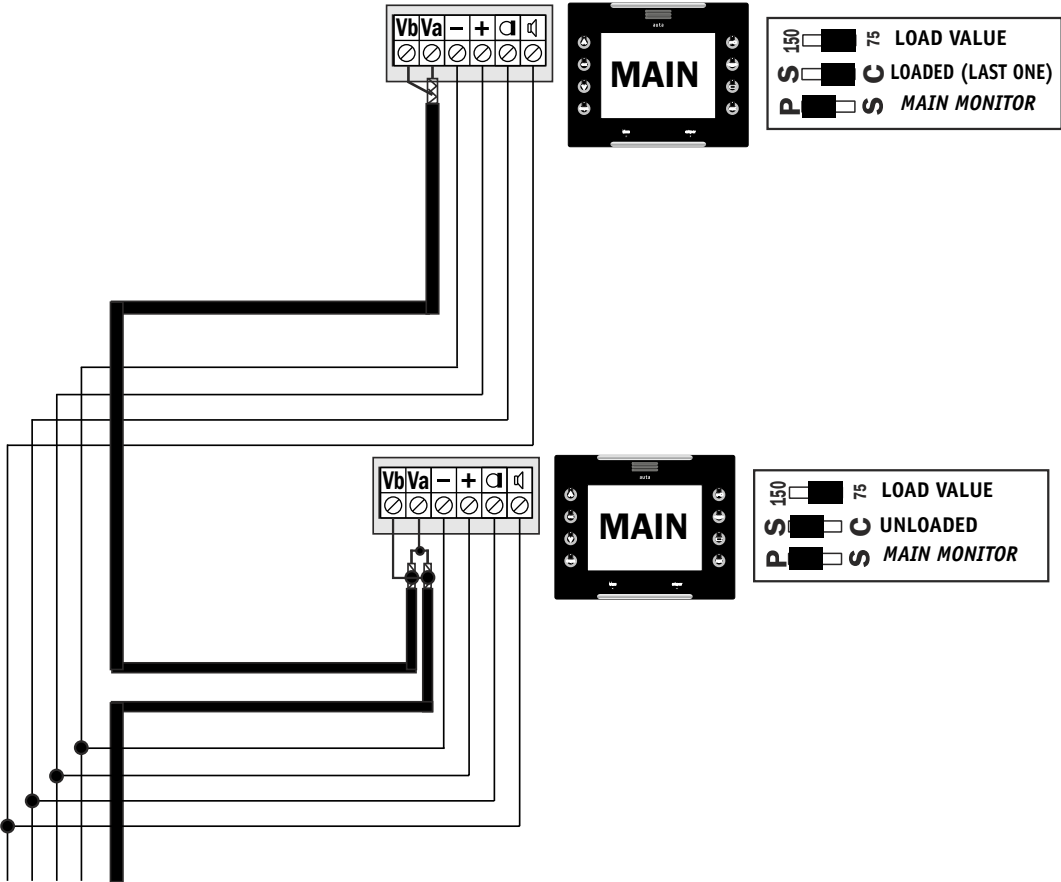
- 1°- Fix the iron sheet to the wall with the provided screws. The iron sheet allows adjusting little deviations.
- 2° - Remove the terminal blocks of the monitor and proceed with the wiring.
- 3°- Configure the monitor and plug the terminal blocks again to the monitor. (see page 2)
- 4°- Hang the monitor in the iron sheet fixed in the wall.

COAXIAL

FLOOR DISTRIBUTION

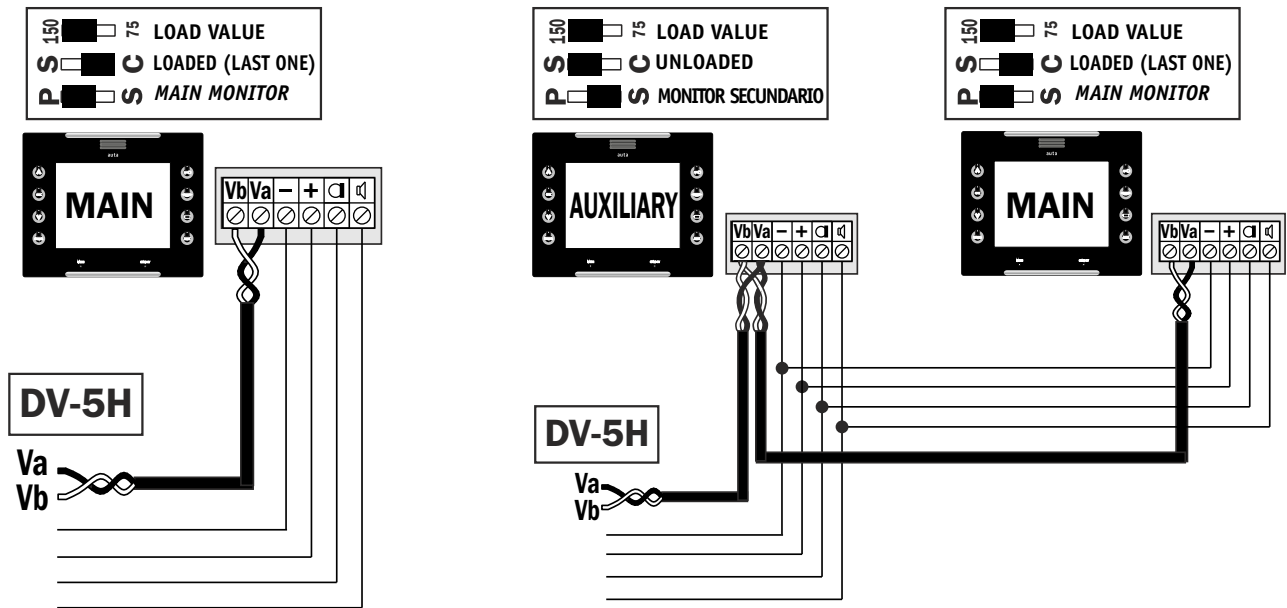


CASCADE DISTRIBUTION

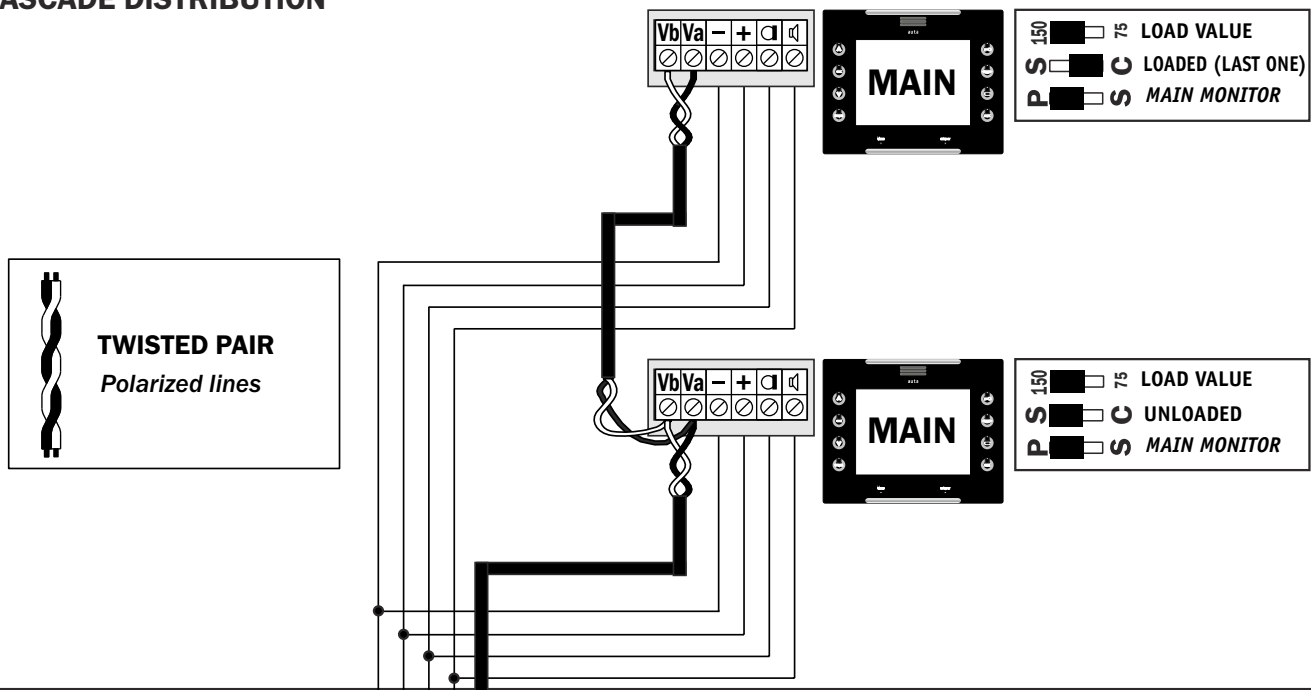


COAXLESS

FLOOR DISTRIBUTION



CASCADE DISTRIBUTION



Functioning

Note: When the monitor is in stand by mode, push OK twice will activate the monitor.
INCOMING CALL.

-When the monitor receives a call from the outdoor panel, the following things happen:

1. It starts ringing.
2. The available function keys get lit up. In this case TALK (OK), OPEN (⏏) & CANCEL.
3. The screen turns on showing the picture of the person who has made the call.

- The call can be finished pressing **CANCEL** at any time.

- To get audio communication, press **OK**. You can switch between MUTE and TALK pressing **OK** during the conversation.

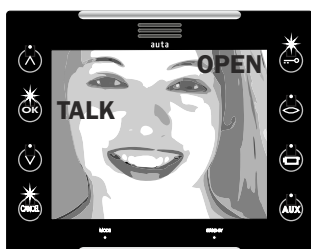
- The conversation length is up to 1m 30s maximum.

- If the call is not attended, the monitor will return to stand by mode in 30 seconds.

- During the calling stage, it is possible to open the door with (⏏) at any time. Once this key is pressed, the monitor returns to stand by mode in 12 seconds.

* **Auxiliary monitor:** In case of having an auxiliary monitor, it will make the ringing tones, but the screen will remain switched off until the key TALK (OK) is pressed.

INCOMING CALL



SELF-STARTING

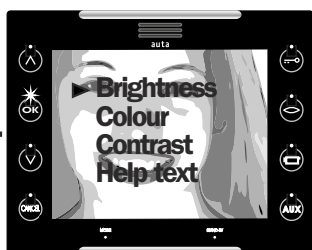
- It is possible to get video from the outdoor panel at any time, pressing **OK** and the self-starting button ().
- To get audio communication, press **OK**. The conversation length this time is only 1m 30s maximum.
- During the self-starting stage, it is possible to open the door with () at any time. Once this key is pressed, the monitor returns to stand by mode in 12 seconds.

CALL TO SWITCHBOARD

- If there is a Switchboard in the installation, it is possible to establish an audio communication with it, pressing () with the monitor in stand by mode. The conversation length is up to 1m 30s maximum.

MENU


- Press **OK** twice with the monitor in stand by mode to access this menu.
- Use \wedge , \vee and the **OK** to navigate through the different options.

video ...


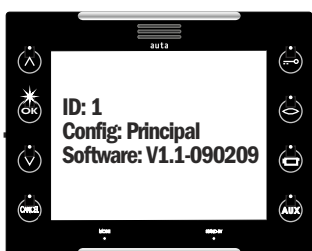
- When this option is selected, the monitor does a self-starting with the panel, in order to get picture of the street.
- Use \wedge , \vee and the **OK** to navigate through the different options and select the desired configuration of **Brightness, Colour & Contrast**.
- **Help Text**. Enables or Disables the help messages of the monitor.
 - Notice that the user will only have 30 seconds to adjust the video settings. If this is not enough time, it can be done again.

audio ...


- Use \wedge , \vee and the **OK** to navigate through the different options.
- **Volume**. Adjust the voice volume.
- **Vol. Tones**. Adjust the ringing tones volume.
- **Tone Type**. Change the calling tone. 4 different available.
The selected tone will ring only when the call comes from an odd panel. If the panel is even, the tone that will ring will be the NEXT to the selected one.
- **Num. tones**. Select the ringtones.
- **Key Sound**. Enables/Disables the sound of the keyboard.
- **TEST**. A sample of the ringing tones with the current settings.

lenguaje ...


- Use \wedge , \vee and the **OK** to navigate through the different options.
- Select the desired language and press **OK**.

system info


- This is only an informative menu.
- **ID**: Shows the monitor code (see page 2)
- **Config.**: Shows whether the monitor is configured as master or slave.
- **Software**: Shows the monitor software version.

INSTALLER ONLY

TERMINAL AUX	TERMINAL BELL
▶ aux	bell
2C	bell
aux	2C

- Configuration screen of terminals AUX and . (Negative enabled).
- **BELL**: Activates an auxiliary bell when a call is received. The terminal sends pulses (-) which are synchronized with the ringing tones of the monitor.
- **AUX**: Enables the AUX key to send a 1 second pulse (-) by the AUX terminal.
- **2C**: Enables the 2C key to activate/deactivate a 2° camera connected to the AUX terminal or to the BELL terminal (-), depending on the chosen configuration.