



## DIGITAL MONITOR AVANT



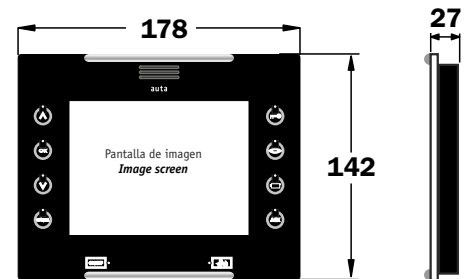
# INTERCOM

Video monitor with 5.6" flat screen and "hands-free" audio, based on digital technology, which can attend calls from external panels, switchboards and also intercommunication calls from other monitors (up to 15 different). Allows the wiring of a standard installation with 4 Wire + COAX or Twisted Pair. It has a capacitive keyboard, onscreen setup menus, multitone function that identifies the origin of the call (main access, secondary, door of the house, switchboard or intercom call) and sequential self-starting with up to 15 different panels / cameras.

**Characteristics:**

- Surface installation and mounting box installation.
- ABS plastic injected
- Brightness, colour and contrast adjust.
- Multi-tone function.
- Volume adjust.
- Two auxiliary keys.
- 5.6 inches TFT-LCD module
- Scanning frequency 15625 Hz (H) x 50 Hz (V)
- Input signal 1Vpp (75ohm) in composite video.
- Power supply 24Vcc / 0.5A.

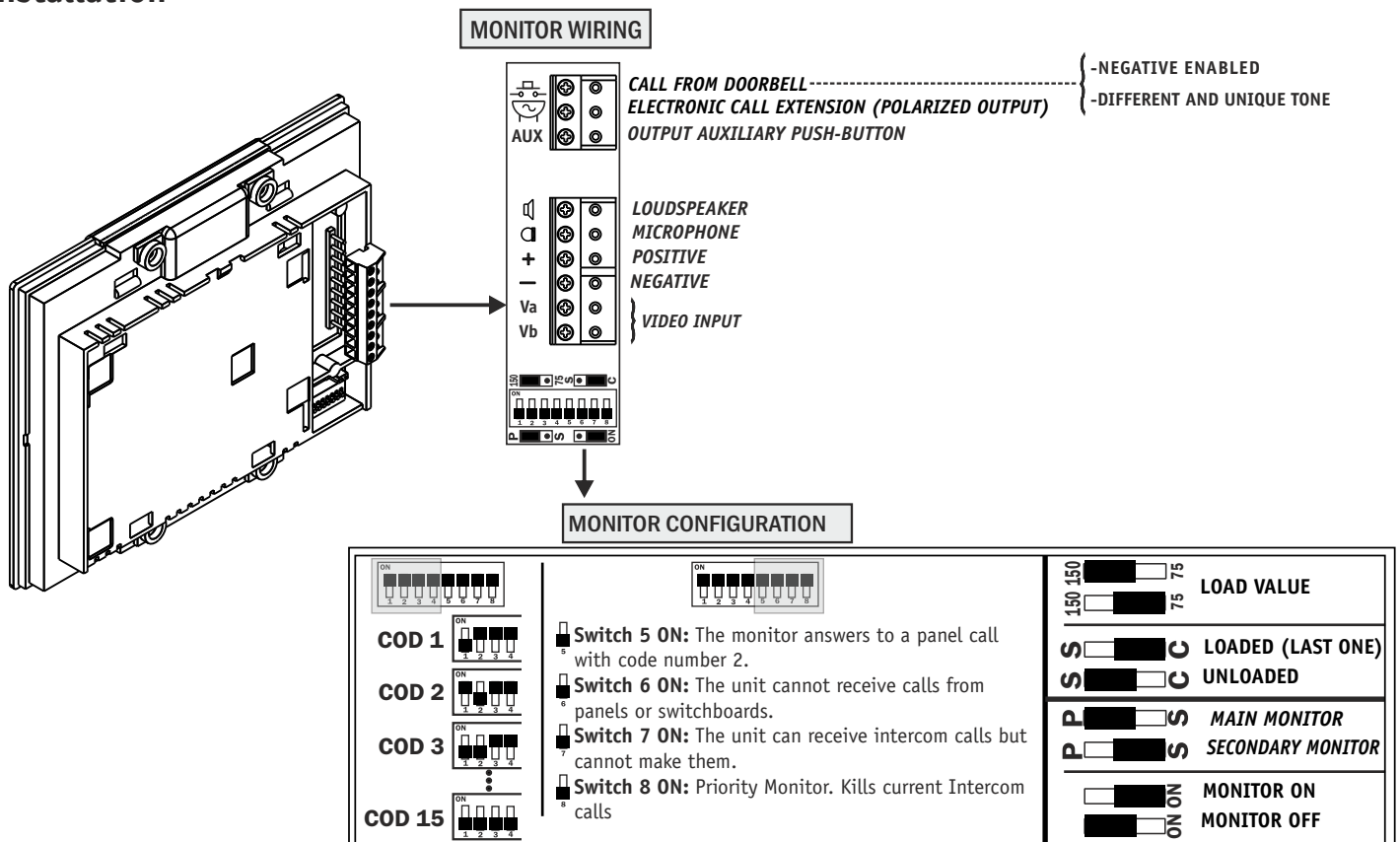
**Dimensions (mm)**



**Description**

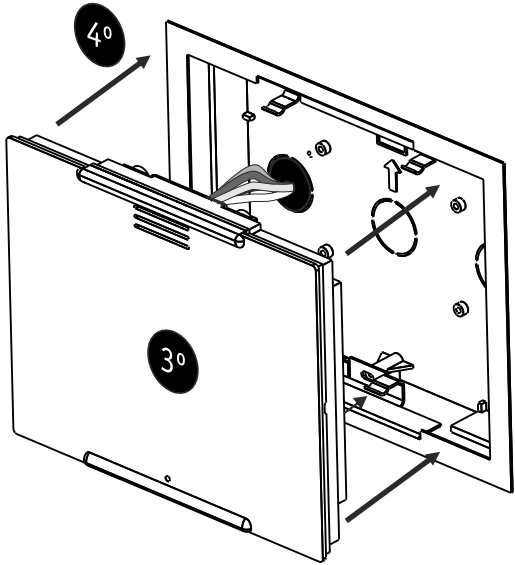
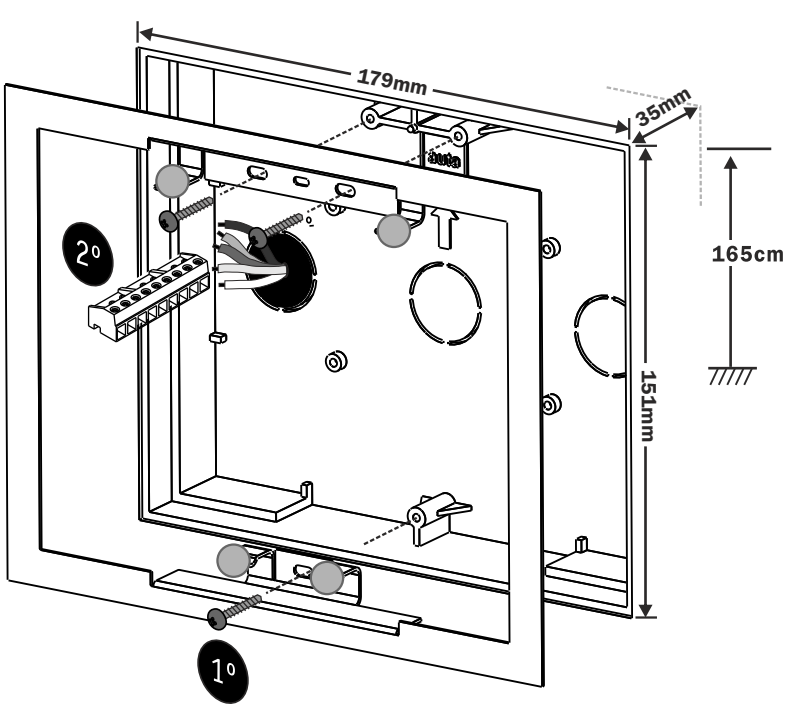


**Installation**



BUILT-IN

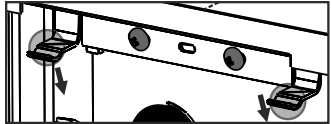
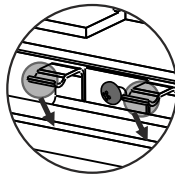
- 1°- Fix the frame to the mounting box with the provided screws. The frame allows adjusting little deviations of the mounting box.
- 2°- Remove the terminal blocks of the monitor and proceed with the wiring.
- 3°- Configure the monitor and plug the terminal blocks again to the monitor. (see page 2)
- 4°- Insert the monitor into the frame.



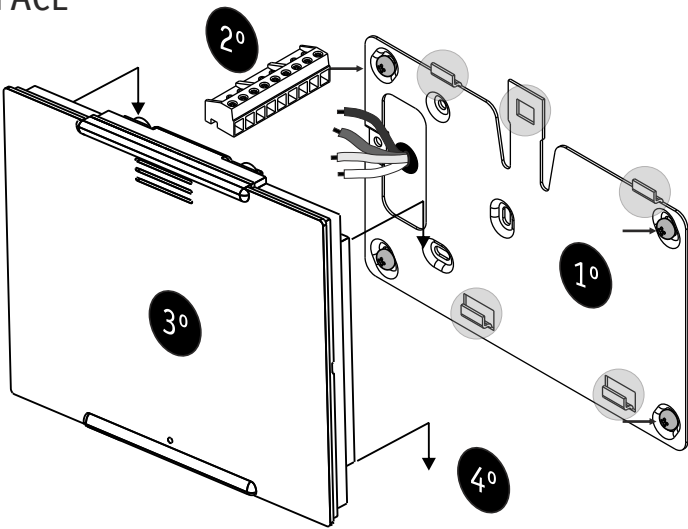
**Note:** When the monitor is placed into the frame, if you feel it is not firmly fixed, bend slightly the fixing points of the frame to increase the fastening.

LOWER FIXING POINTS

UPPER FIXING POINTS



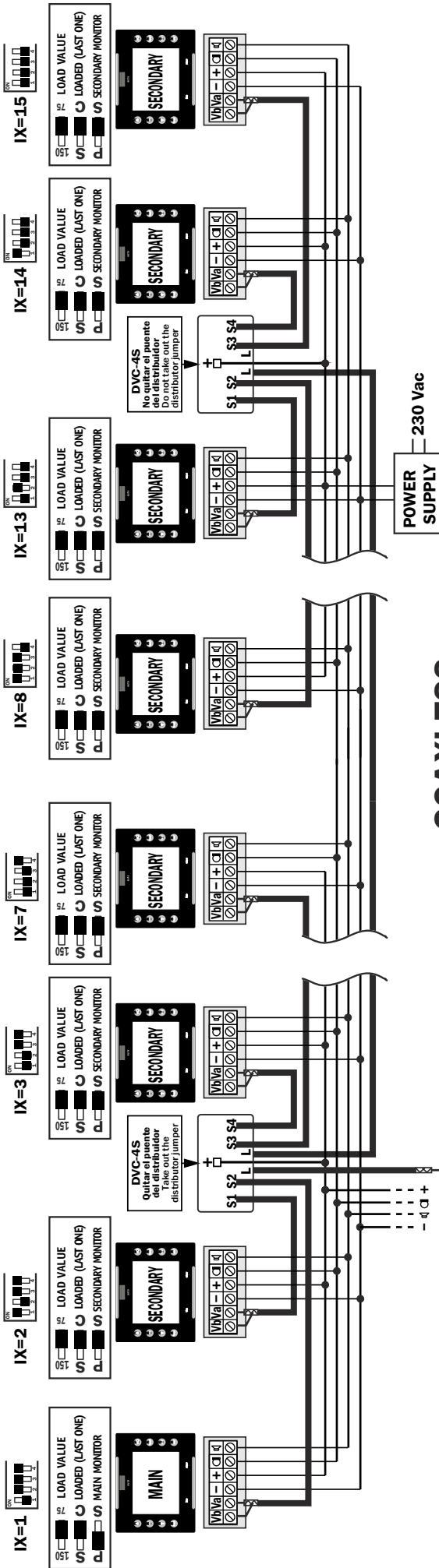
SURFACE



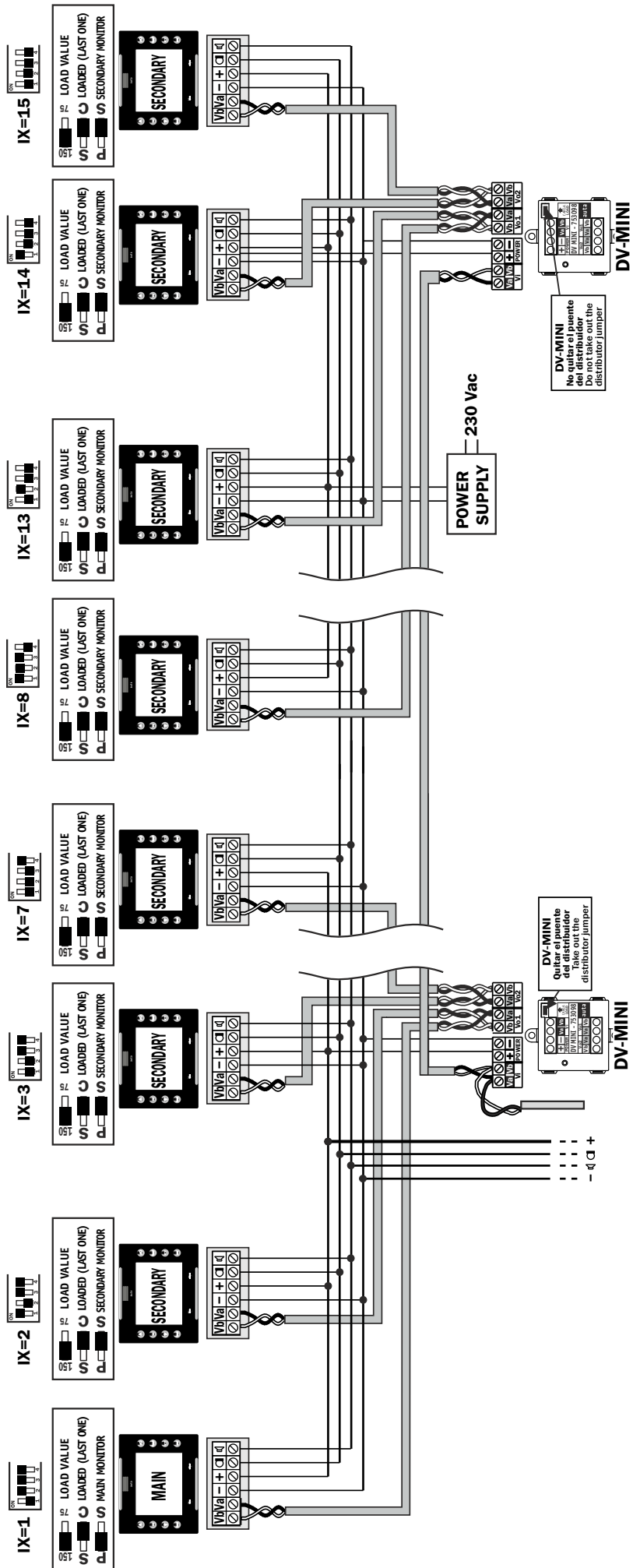
- MONITOR FIXING POINTS
- FIXING THE MONITOR TO THE WALL

- 1°- Fix the iron sheet to the wall with the provided screws. The iron sheet allows adjusting little deviations.
- 2° - Remove the terminal blocks of the monitor and proceed with the wiring.
- 3°- Configure the monitor and plug the terminal blocks again to the monitor. (see page 2)
- 4°- Hang the monitor in the iron sheet fixed in the wall.

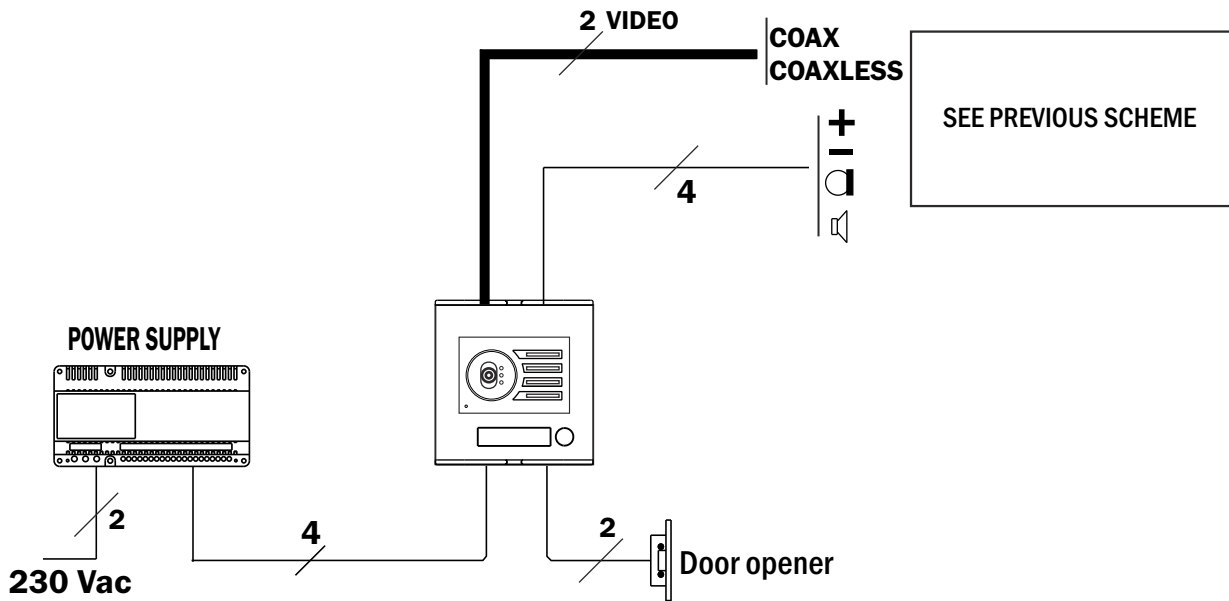
COAXIAL



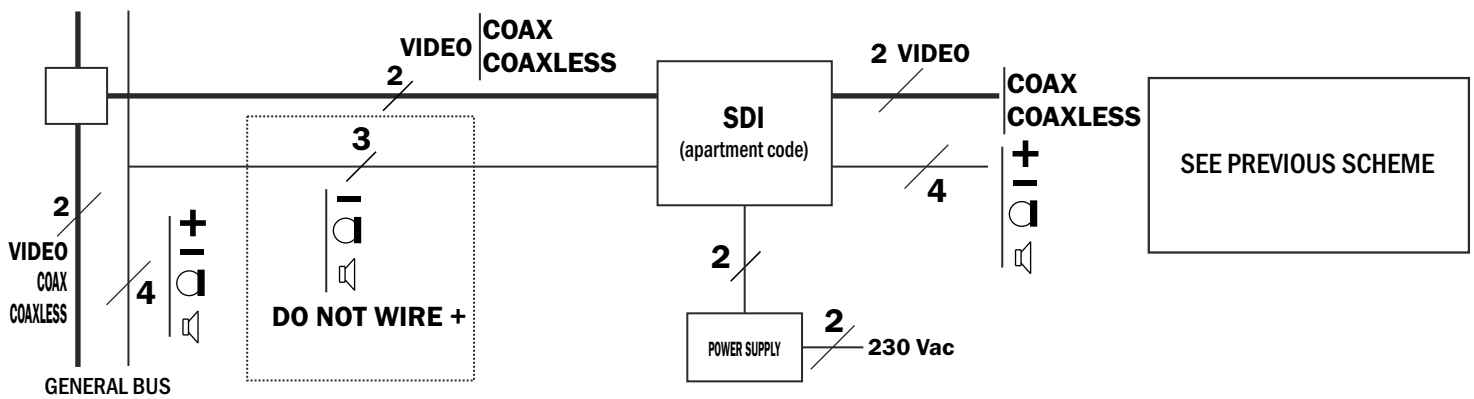
COAXLESS



Villa installation



Building installation



**NOTE:**

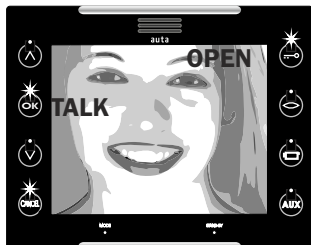
If you did not connect an internal panel in the SDI, you must connect a 1 Kohm resistor between P and +

In building installations, is necessary to add an SDI for each apartment with intercom monitors to prevent intercom conversations inside the apartment, occupy the building's common bus. You also need to add, inside the apartment, the power supply suitable for the number of intercom monitors installed: up to 7 monitors one ALV4.2 and over 7 monitors two ALV4.2.

Note: When the monitor is in stand by mode, pressing OK key will activate the monitor.

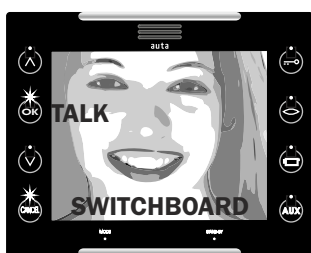
## INCOMING CALL

### PANEL CALL



- When the monitor receives a call from the outdoor panel, it starts ringing, the available function keys get lit up and the screen turns on showing the picture of the person who has made the call.
- The call can be finished pressing CANCEL at any time.
- To get audio communication, press OK. You can switch between MUTE and TALK pressing OK during the conversation.
- The conversation length is up to 1m 30s maximum.
- If the call is not attended, the monitor will return to stand by mode in 30 seconds.
- During the calling stage, it is possible to open the door with ( ) at any time. Once this key is pressed, the monitor returns to stand by mode in 12 seconds.

### SWITCHBOARD CALL



- When the monitor receives a call from a switchboard, everything works as in the panel case, unless that the ring is monotone and the open-door option is not available. If the switchboard has a camera its picture will be displayed on the monitor.

### INTERCOM CALL



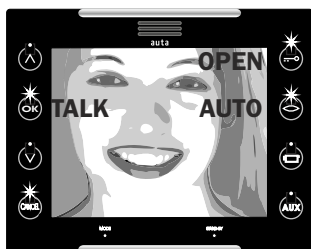
When the monitor receives an intercommunication call, the ring is monotone and in the screen we'll see the number of the monitor which is performing the call.

The call is finished with **CANCEL** and accepted with **OK**.

If during an intercom conversation a panel call is received, a message will be displayed indicating the calling panel so the user can end the intercom and address the board with a self-starting if desired.

## CALLS FROM THE MONITOR

### SEQUENTIAL SELF-STARTING

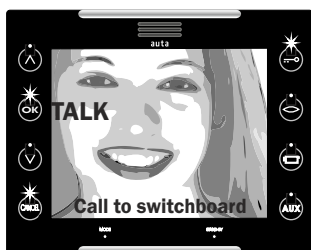


The video can be activated with any panel or 'smart' camera in the installation by pressing ( ). It can be done even in the conversation stage.

The video communication lasts 30 seconds. To set an audio communication, which will last a maximum of 1m 30s, press OK.

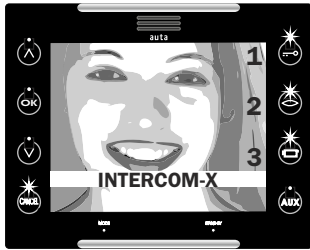
During the self-starting the video panel / camera can be changed by pressing ( ). Also the door opener ( ) can be triggered at any time. Once pressed, the monitor ends the conversation in 12s.

### SWITCHBOARD CALL



If there is a Switchboard in the installation, it is possible to establish an audio communication with it, pressing **OK** + ( ) with the monitor in stand by mode. The conversation length is up to 1m 30s maximum.

INTERCOM CALL



Press OK twice to enter the intercom screen. On the first screen, monitors 1-2-3 can be called pressing the button next to the number.  
 If we press "UP\_ARROW" the text "1" changes to "ALL" and a broadcast call may be done to all intercom monitors in the installation.  
 Pressing "DOWN\_ARROW" we could call monitors 4-5-6, 7-8-9, 10-11-12 and 13-14-15.  
 If OK is pressed on this screen, the EDIT option will appear and the numbers can be replaced with words up to 6 characters like "HALL" or "GARDEN".

MENU



- Press OK + ^ or v with the monitor in stand by mode to access this menu.  
 - Use ^ , v and the OK to navigate through the different options.

video ...



- When this option is selected, the monitor does a self-starting with the panel, in order to get picture of the street.  
 - Use ^ , v and the OK to navigate through the different options and select the desired configuration of **Brightness, Colour & Contrast**.  
 - **Help Text**. Enables or Disables the help messages of the monitor.  
 ▪ Notice that the user will only have 30 seconds to adjust the video settings. If this is not enough time, it can be done again.

audio ...



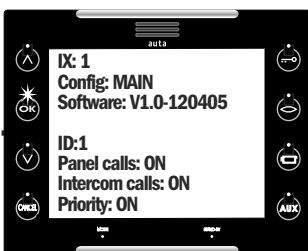
Use ^ , v and the OK to navigate through the different options.  
 - **Volume**. Adjust the voice volume.  
 - **Vol. Tones**. Adjust the ringing tones volume.  
 - **Tone Type**. Change the calling tone. 4 different available.  
 The selected tone will ring only when the call comes from an odd panel. If the panel is even, the tone that will ring will be the NEXT to the selected one.  
 - **Num. tones**. Select the ringtones.  
 - **Key Sound**. Enables/Disables the sound of the keyboard.  
 - **TEST**. A sample of the ringing tones with the current settings.

lenguaje -



Use ^ , v and the OK to navigate through the different options.  
 Select the desired language and press OK.

system-  
info



The Info System menu is informational only. Shows the settings of the dip-switch and the other switches on the back of the monitor. (see page 2)  
**IX:** Indicates its number of intercom monitor. From 1 to 15.  
**Config:** Indicates whether the monitor is set as main or secondary  
**Software:** Indicates the software version of the monitor.  
**ID:** Indicates the code of this monitor when the call is made from the panel. The default is 1 but may be 2.  
**Panel call:** Indicates whether the monitor is able to answer calls from panel or not.  
**Intercom Call:** Indicates whether the monitor is set to make Intercom calls. You can always receive them.  
**Priority:** Indicates if it is a priority monitor.

INSTALLER ONLY

TERMINAL AUX	TERMINAL BELL
▶ aux	bell
2C	bell
aux	2C
aux↑	10
2C↑	0

Setup Screen of the AUX and BELL terminals (negative activation).  
**BELL:** To activate an auxiliary ringer during an incoming call. The terminal (BELL) sends pulses (-) synchronized with the monitor calls.  
**Aux:** Enables the AUX button to send a configurable pulse (-) through the AUX terminal. The default is 10 tenths of a second. The maximum is 25'5 seconds.  
**2C:** Enables the 2C button to send a configurable pulse through the AUX or BELL terminals, depending on the chosen configuration. Programming a 0, which is the default value, the output works as a toggle. One press activate, another one deactivates it.

