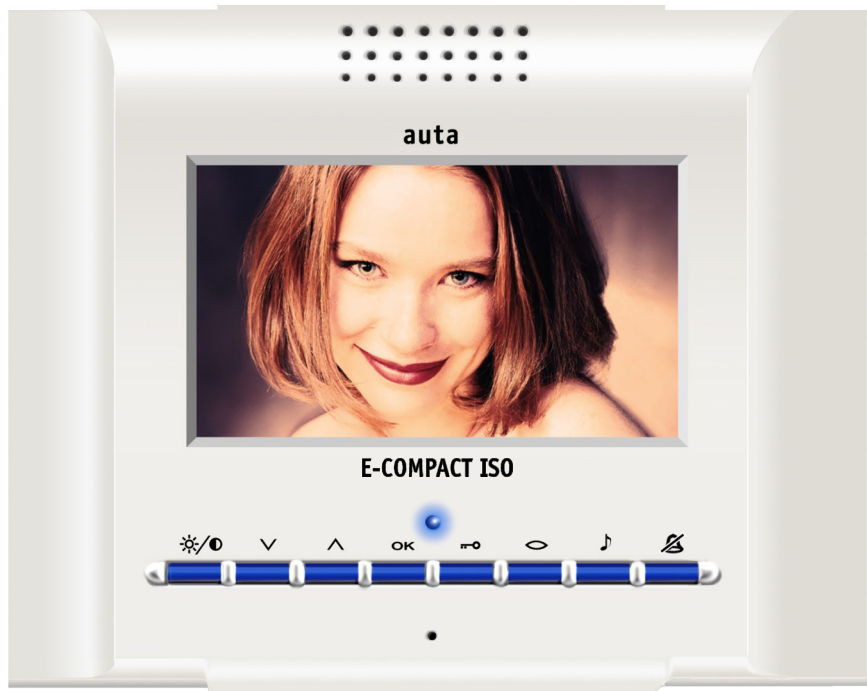




DIGITAL MONITOR



ISO

e-COMPACT
P L U S

P&P
SYSTEM

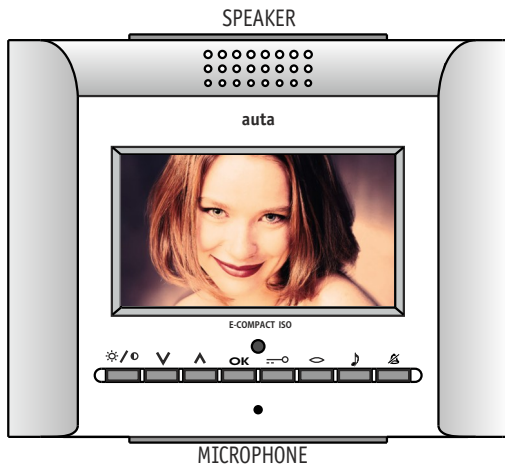
HI / 197
05/16
ENGLISH

The E-COMPACT ISO monitor, when connected to an output of its ISO-HUB ensures that any breakage and / or short of the housing wires, will not affect the rest of the installation. 3'5 inches flat screen monitor based on digital technology, that incorporates hands-free communication and allows the wiring of standard installations with a UTP-CAT5 riser. This is a plug and play device.

Characteristics

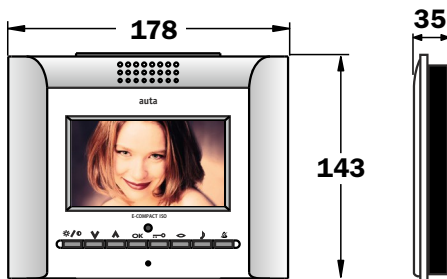
- Surface installation or mounting box installation.
- ABS+PC plastic injected.
- Brightness, colour and contrast adjust.
- Multi-tone function
- Two auxiliary keys.
- Scanning frequency 15625 Hz (H) x 50 Hz (V)
- Input Video Signal: Differential Video (150Ω).
- Power supply 24Vcc / 0.5A.
- TFT-LCD 3.5".

DESCRIPTION



<p>LED</p> <p>OFF Standby</p> <p>ON Active Keys</p> <p>Slow flash Communication enabled</p> <p>Fast flash Door open Indicator</p> <p>Set of flashes Privacy ON</p>	<p>Door release / Call to concierge</p> <p>Self-start / Enable video</p> <p>Volume / Melody selection</p> <p>Privacy</p> <p>1 Flash 2 Hours</p> <p>2 Flashes 4 Hours</p> <p>3 Flashes 6 Hours</p> <p>4 Flashes 8 Hours</p> <p>OFF Privacy OFF</p>
<p>Brightness / Contrast / Colour</p>	
<p>Navigation Keys</p>	
<p>OK</p> <p>Talk / Activate</p>	

DIMENSIONS



INSTALLATION

MONITOR WIRING

AUX	+	+	+	+	+	+	+	+	+
-	-	-	-	-	-	-	-	-	-

CALL FROM DOORBELL
ELECTRONIC CALL EXTENSION (POLARIZED OUTPUT)
OUTPUT AUXILIARY PUSH-BUTTON

POSITIVE
NEGATIVE

RJ-45 CONNECTOR

CON2

-NEGATIVE ENABLED
-DIFFERENT AND UNIQUE TONE

MONITOR CONFIGURATION

COD 1	ON	ON	ON	ON	ON	ON	ON	ON	ON
COD 2	ON	ON	ON	ON	ON	ON	ON	ON	ON
COD 3	ON	ON	ON	ON	ON	ON	ON	ON	ON
COD 254	ON	ON	ON	ON	ON	ON	ON	ON	ON

MONITOR CALL CODE

<input checked="" type="checkbox"/>	<input checked="" type="checkbox"/>	<input checked="" type="checkbox"/>	<input checked="" type="checkbox"/>	<input checked="" type="checkbox"/>	<input checked="" type="checkbox"/>	<input checked="" type="checkbox"/>	<input checked="" type="checkbox"/>	<input checked="" type="checkbox"/>	<input checked="" type="checkbox"/>
<input checked="" type="checkbox"/>	<input checked="" type="checkbox"/>	<input checked="" type="checkbox"/>	<input checked="" type="checkbox"/>	<input checked="" type="checkbox"/>	<input checked="" type="checkbox"/>	<input checked="" type="checkbox"/>	<input checked="" type="checkbox"/>	<input checked="" type="checkbox"/>	<input checked="" type="checkbox"/>

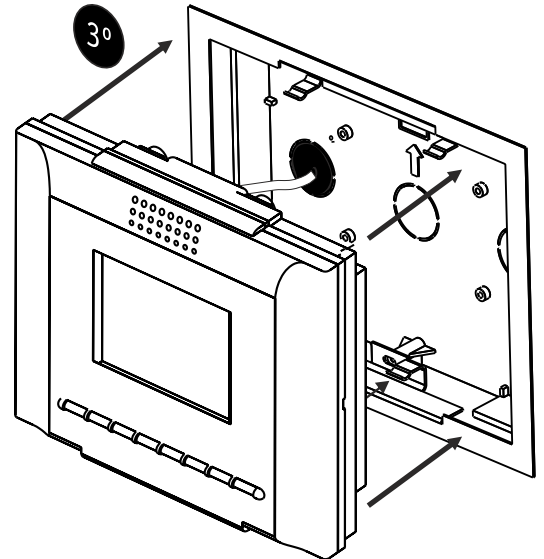
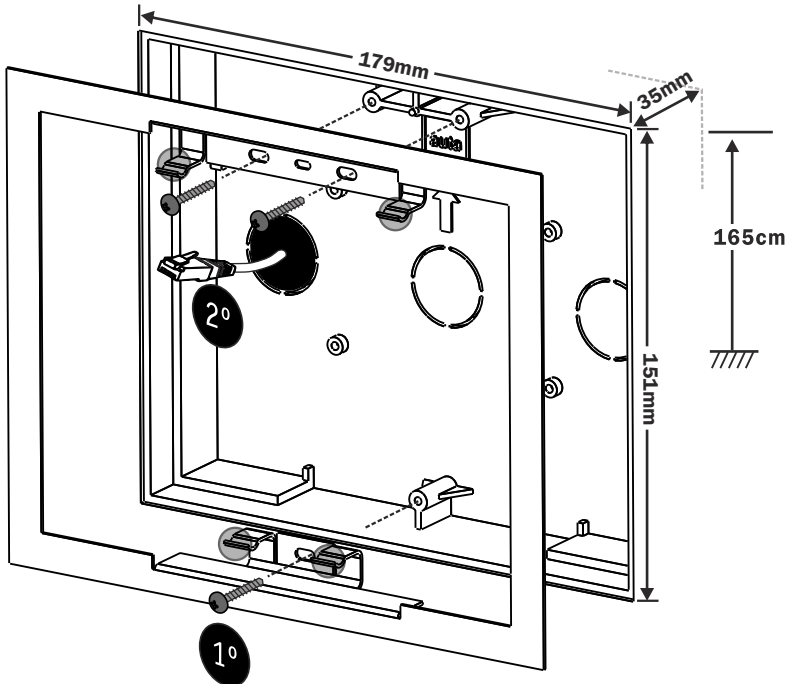
MAIN MONITOR
SECONDARY MONITOR

NO MONITOR ON
 MONITOR OFF

INSTALLATION

BUILT-IN-

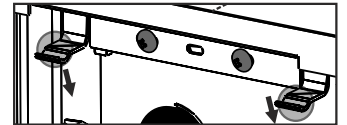
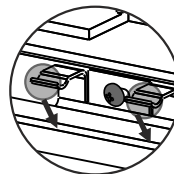
- 1° - Fix the frame to the mounting box with the provided screws. The frame allows adjusting little deviations of the mounting box.
- 2° - Configure the monitor and plug the RJ45 connector.
- 3° - Insert the monitor into the frame.



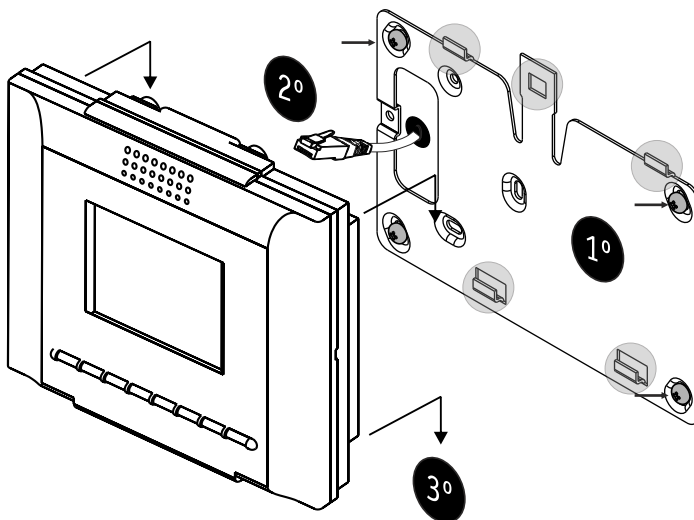
Note: When the monitor is placed into the frame, if you feel it is not firmly fixed, bend slightly the fixing points of the frame to increase the fastening

LOWER FIXING POINTS

UPPER FIXING POINTS



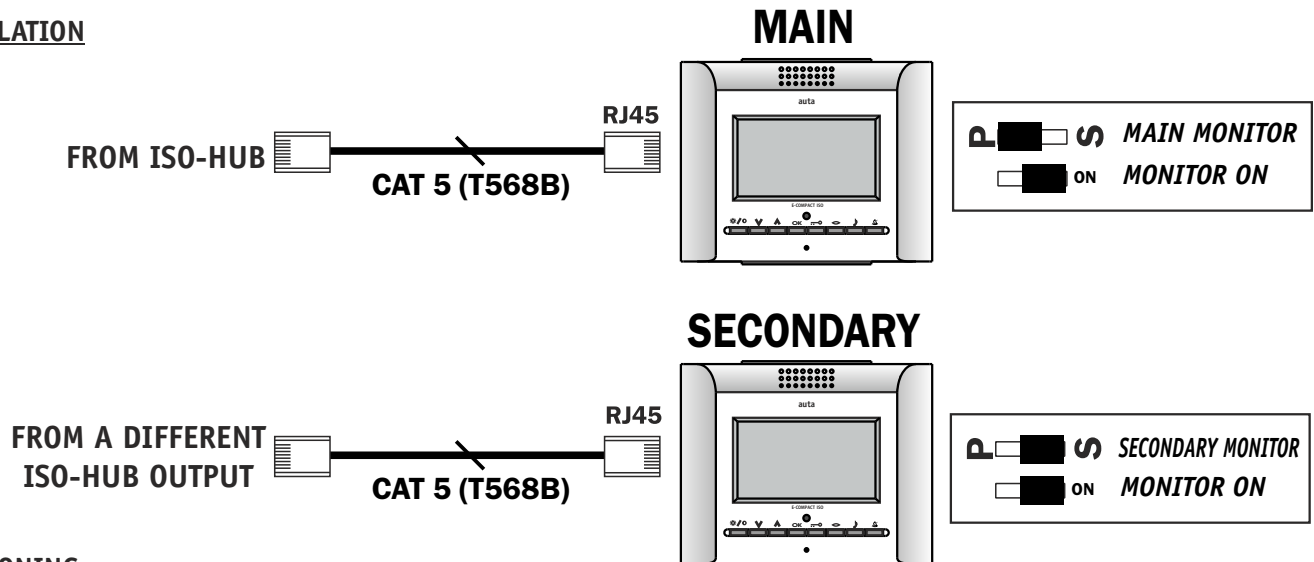
SURFACE



- MONITOR FIXING POINTS
- FIXING THE MONITOR TO THE WALL

- 1° - Fix the iron sheet to the wall with the provided screws. The iron sheet allows adjusting little deviations.
- 2° - Configure the monitor and plug the RJ45 connector
- 3° - Hang the monitor on the iron sheet that is fixed in the wall.

INSTALLATION



FUNCTIONING

MONITOR FUNCTIONING STATES

- **SWITCHED OFF.** ON/OFF switch in OFF position. The LED remains off.
- **STAND BY.** ON/OFF switch in ON position. The LED remains off. Only the OK key is enabled.
- **ACTIVE.** Pressing the OK key, a beep can be heard and the blue led remains on. At this point the monitor is active and all the keys are enabled.

-**Line Engaged State:** From ACTIVE state, every time we try to perform a self-starting () or a switchboard call () the system will make a bitonal sound indicating that the line is engaged by another call, and then the led turns off and the monitor returns to STAND BY state.

FUNCTIONING

INCOMING CALL. When the monitor receives a call from the outdoor panel, the blue led starts a slow blinking, the ringing tones can be heard and the TFT turns on to see who is making the call. The communication can be finished pressing () .

Press **OK** to initiate audio communication. This communication lasts 1m 30s and can be finished at any moment pressing **OK**.

If the call is not attended, the ringing tones will end and the TFT will turn off within 30s.

During the calling stage the door can be opened at any time () . This action will reduce the communication time to 20s.

* **Secondary Monitor:** In case of having an auxiliary monitor, it will make the ringing tones, but the screen will remain switched off until **OK** (Talk) or (Viewing) is pressed.

PRIVACY. You can enable the privacy mode for a programmable period of time. During this time, the E-COMPACT ISO monitor will not perform the ringing tones and it will not activate the TFT when a call is received. Press OK to activate the pushbuttons and press repeatedly for programming 2h, 4h, 6h, 8h and OFF. This will be indicated with 1, 2, 3, 4 and 0 flashes of the monitor's led.

SELF-STARTING. It is possible to get video from outdoor panel at any time, pressing **OK** + . To get audio communication, press **OK** again. The maximum length of the conversation is 1m 30s.

During the self-starting stage the door can be opened at any time () . The communication will also be reduced to 20s.

The outdoor panel must have the self-starting function activated.

CALL TO SWITCHBOARD. If there is a Switchboard in the installation, it is possible to establish an audio communication with it, pressing **OK** + . The conversation length is up to 1m 30s maximum.

CALL FROM SWITCHBOARD. When the monitor receives a call from the switchboard, the blue led starts a quick blinking, a monotone ring can be heard and the TFT turns on. The communication can be finished pressing () .

Press **OK** to initiate audio communication. This communication lasts 1m 30s and can be finished at any moment pressing **OK**.

"DOOR OPEN" ALARM. If the panel has the "Door Open" sensor installed, the monitor's led will indicate this situation blinking rapidly until the alarm disappears.

MONITOR ADJUSTS.

- / **Brightness / Colour / Contrast:** To adjust the values of brightness, colour and contrast is necessary to turn the TFT on. Thus, make a self-starting and then press / to select the adjust kind, and the keys \wedge and \vee to increase or decrease the values.
- **Volume and Ringing Tone:** To adjust the ringing tone and the volume, from the stand by mode press **OK** and then repeatedly until the desired tone is found. There exist 4 different tones and 3 different volume levels for each one.