



Monitor Compact 2H

SWITCH

REPRESENTACIÓN ESQUEMÁTICA SCHEMATIC REPRESENTATION

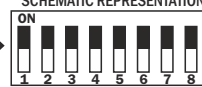
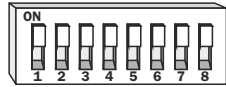


Tabla de códigos 1-254 codess board 1-254

COD 1	COD 2	COD 3	COD 4	COD 5	COD 6	COD 7	COD 8	COD 9	COD 10	COD 11	COD 12
COD 13	COD 14	COD 15	COD 16	COD 17	COD 18	COD 19	COD 20	COD 21	COD 22	COD 23	COD 24
COD 25	COD 26	COD 27	COD 28	COD 29	COD 30	COD 31	COD 32	COD 33	COD 34	COD 35	COD 36
COD 37	COD 38	COD 39	COD 40	COD 41	COD 42	COD 43	COD 44	COD 45	COD 46	COD 47	COD 48
COD 49	COD 50	COD 51	COD 52	COD 53	COD 54	COD 55	COD 56	COD 57	COD 58	COD 59	COD 60
COD 61	COD 62	COD 63	COD 64	COD 65	COD 66	COD 67	COD 68	COD 69	COD 70	COD 71	COD 72
COD 73	COD 74	COD 75	COD 76	COD 77	COD 78	COD 79	COD 80	COD 81	COD 82	COD 83	COD 84
COD 85	COD 86	COD 87	COD 88	COD 89	COD 90	COD 91	COD 92	COD 93	COD 94	COD 95	COD 96
COD 97	COD 98	COD 99	COD 100	COD 101	COD 102	COD 103	COD 104	COD 105	COD 106	COD 107	COD 108
COD 109	COD 110	COD 111	COD 112	COD 113	COD 114	COD 115	COD 116	COD 117	COD 118	COD 119	COD 120
COD 121	COD 122	COD 123	COD 124	COD 125	COD 126	COD 127	COD 128	COD 129	COD 130	COD 131	COD 132
COD 133	COD 134	COD 135	COD 136	COD 137	COD 138	COD 139	COD 140	COD 141	COD 142	COD 143	COD 144
COD 145	COD 146	COD 147	COD 148	COD 149	COD 150	COD 151	COD 152	COD 153	COD 154	COD 155	COD 156
COD 157	COD 158	COD 159	COD 160	COD 161	COD 162	COD 163	COD 164	COD 165	COD 166	COD 167	COD 168
COD 169	COD 170	COD 171	COD 172	COD 173	COD 174	COD 175	COD 176	COD 177	COD 178	COD 179	COD 180
COD 181	COD 182	COD 183	COD 184	COD 185	COD 186	COD 187	COD 188	COD 189	COD 190	COD 191	COD 192
COD 193	COD 194	COD 195	COD 196	COD 197	COD 198	COD 199	COD 200	COD 201	COD 202	COD 203	COD 204
COD 205	COD 206	COD 207	COD 208	COD 209	COD 210	COD 211	COD 212	COD 213	COD 214	COD 215	COD 216
COD 217	COD 218	COD 219	COD 220	COD 221	COD 222	COD 223	COD 224	COD 225	COD 226	COD 227	COD 228
COD 229	COD 230	COD 231	COD 232	COD 233	COD 234	COD 235	COD 236	COD 237	COD 238	COD 239	COD 240
COD 241	COD 242	COD 243	COD 244	COD 245	COD 246	COD 247	COD 248	COD 249	COD 250	COD 251	COD 252
COD 253	COD 254										



2H MONITOR



COMPACT

POL. IND. EL OLIVERAL - CALLE C , NAVES 9-10 46394 RIBARROJA DEL TURIA (VALENCIA)
TFNO. +34 96 164 30 20 - FAX. +34 96 166 52 86 E-MAIL: AUTA@AUTA.ES HTTP://WWW.AUTA.ES

REF: **755005**

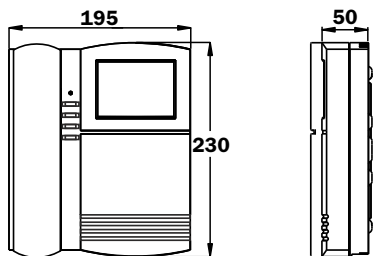
ENGLISH
HI / 322
09/16

Video monitor with 4" flat screen based on auta comunicaciones 2H technology. It allows the installation of a full video door entry system with only two wires without polarity.

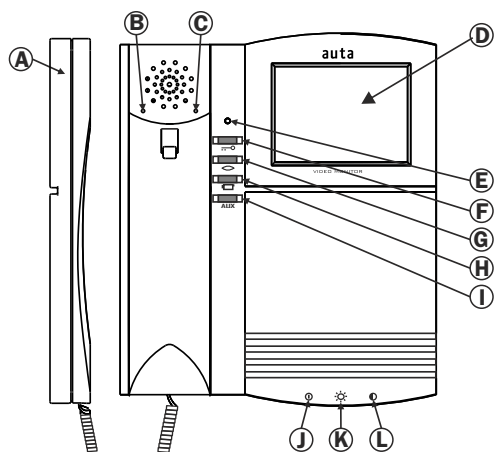
CHARACTERISTICS

- Full duplex audio, data, power and video signal with only 2 wires without polarity
- Surface installation or with universal box 60 X 60
- Injected in ABS plastic
- On / Off switch
- Brightness and contrast adjust
- Melody mode
- Volume adjust
- Door opener push-button
- Self-starting push-button
- AUX push-button
- It is possible to activate the door opener of a second gate
- Privacy mode 2, 3 and 8 hours.
- Open Outdoor Alarm
- Remote door opener installation
- Automatic door opener configuration
- Supplying 24 Vcc/0,5A

DIMENSIONS



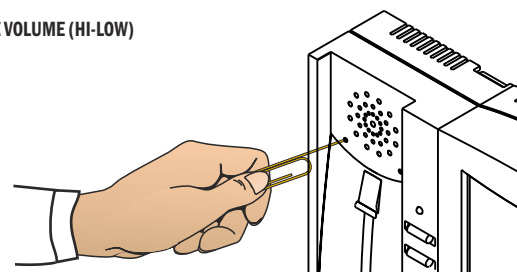
DESCRIPTION



- (A) Phone handset
- (B) Volume adjust
- (C) Melody Selection PB1
- (D) Image screen
- (E) Light Indicator
- (F) Door opener
- (G) Self-starting/Video spy
- (H) No function
- (I) AUX push-button (2nd door opener)
- (J) On/Off
- (K) Brightness
- (L) Colour

VOLUME ADJUST

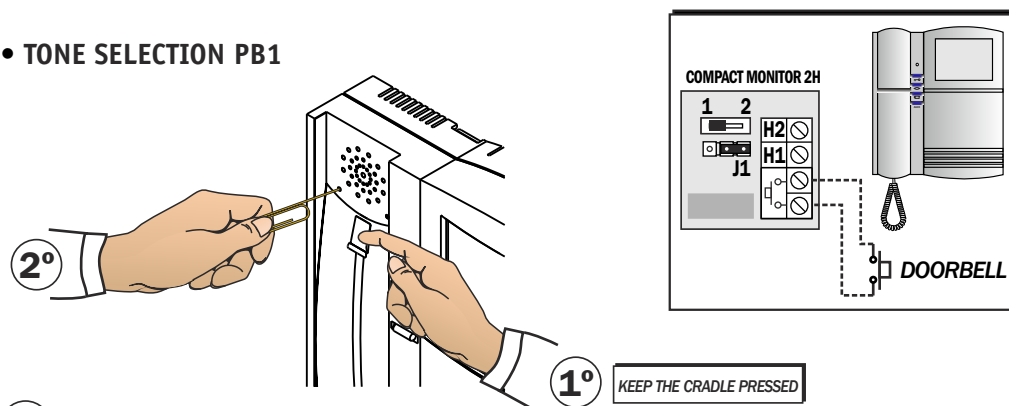
PRESS TO CHANGE THE VOLUME (HI-LOW)



MELODY SYSTEM

The new 2H COMPACT monitor includes a selector of tones able to distinguish from where the device is being called. If the Doorbell push-button is connected, the monitor will make a different tone when pressed.

TONE SELECTION PB1



2°

1°

KEEP THE CRADLE PRESSED

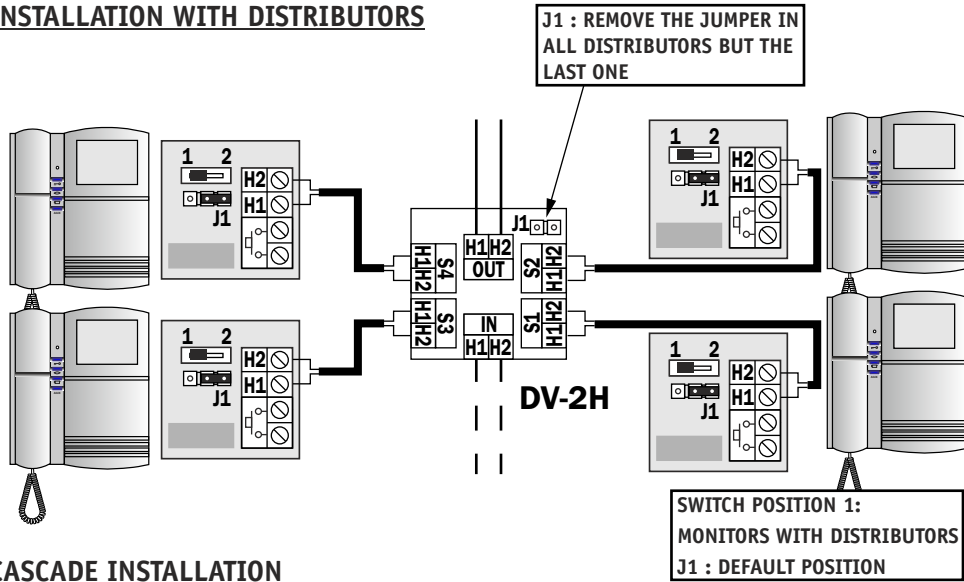
PRESS TO CHANGE THE TONE OF THE CALL (7 available tones)

When pushed, the chosen tone rings. Once a tone is selected, the monitor automatically allocates the ringing tone.

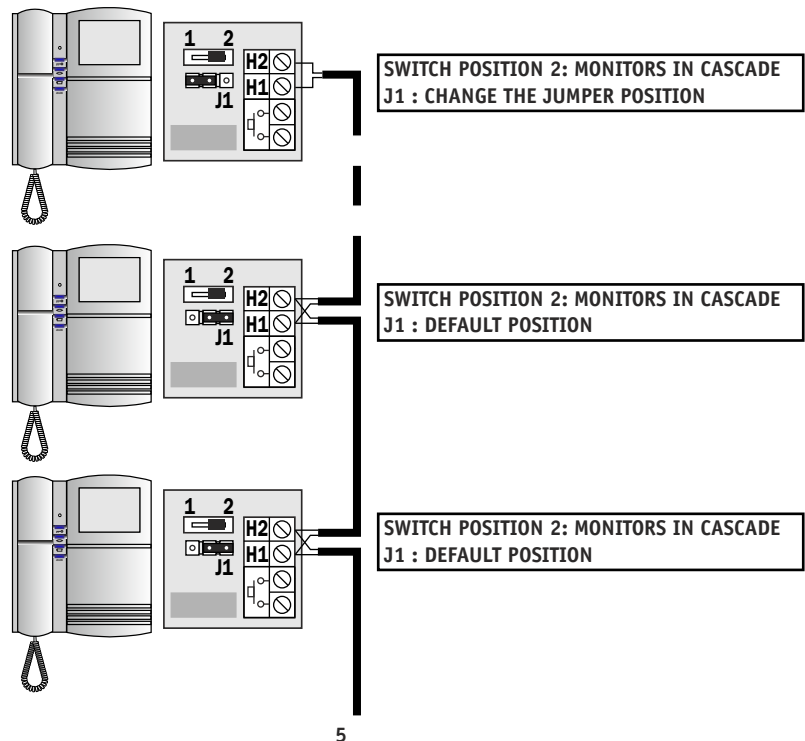
NUMBER OF RINGING TONES

It is possible to configure the number of ringing tones from 0 to 4. See page 4

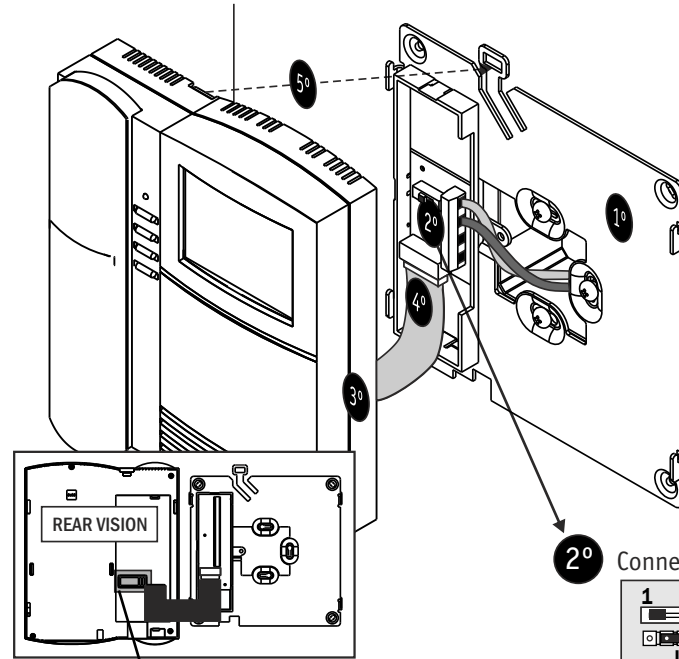
INSTALLATION WITH DISTRIBUTORS



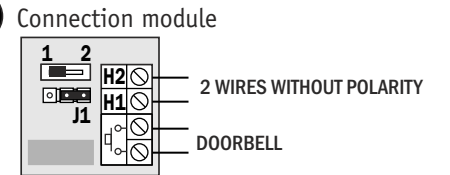
CASCADE INSTALLATION



INSTALLATION

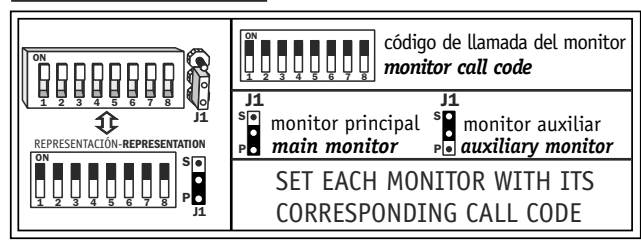


- 1° Fix the bracket to the wall using supplied screws.
- 2° Connect the wires
- 3° Set up the monitor
- 4° Connect monitor's plug to circuit's bracket
- 5° Plug the monitor to the bracket.



- | | |
|--|---|
| 1 | MONITOR CONNECTED TO THE OUTPUT OF A 2H DISTRIBUTOR |
| 2 | MONITOR CONNECTED DIRECTLY TO THE RISER. IT DOES NOT GO THROUGH A 2H DISTRIBUTOR OUTPUT. CASCADE INSTALLATION |
| <input type="checkbox"/> <input type="checkbox"/> | DEFAULT POSITION IN ALL MONITORS BUT THE LAST ONE, IN A CASCADE INSTALLATION |
| <input checked="" type="checkbox"/> <input type="checkbox"/> | CHANGE THE JUMPER POSITION IN THE LAST MONITOR, IN A CASCADE INSTALLATION |

MONITOR CONFIGURATION



MONITOR STATUS

OFF: ON/OFF switch in OFF position. The LED remains off.

STAND BY: ON/OFF switch in ON position. The LED remains off.

OFF-HOOK: The LED flashes.

LINE ENGAGED: When a self-starting is performed (⓪), if the LED makes a red flash it is indicating that the system is busy with another communication.

FUNCTIONING

CALL FROM PANEL. The LED flashes, the ringing tones can be heard and the screen gets activated. The communication can be cancelled pressing (⓪). To get audio lift the handset up. The maximum communication time is 1m 30s. If the call is not attended during the first 30s the system will return to STAND BY mode. The door can be released at any time of the call stage pressing (⓪). It is possible to open a 2nd door pressing AUX.

* **Secondary Monitor:** In case of having a secondary monitor, it will make the ringing tones, but the screen will remain switched off until the handset is lifted, or the self-starting (⓪) is pressed.

SELF-STARTING. It is possible to get video from outdoor panel at any time, pressing (⓪). To get audio communication, lift the handset up. The maximum length of the conversation is 1m 30s. During the self-starting stage the door can be opened at any time pressing (⓪).

CALL FROM DOORBELL PUSH-BUTTON. A different ringing tone can be heard, and the LED flashes during 30 seconds in orange colour.

Setting The monitor as MAIN/SLAVE

- Pick up the handset and keep the AUX key pressed until the LED flashes red (around 3s).
- Then Keep the MELODY key pressed until the LED changes to orange (around 3s).
- That's all. You can check if the monitor has been set as SLAVE, if the LED flashes red at the moment the monitor is hanged up. Otherwise, the LED will flash green.

Installer Settings

- 1 - Switch off the monitor.
- 2 - Put a shortcircuit wire between the terminals of the doorbell button or keep the button pressed if it exists.
- 3 - Switch on the monitor: the LED lights up red waiting for the code.
- 4 - Program the desired code in the dip-switch.
- 5 - Validate it by pressing AUX key of the monitor.
- 6 - The LED lights up orange and the monitor remains inactive.
- 7 - Switch off the monitor.
- 8 - Undo the shortcircuit between terminals. Replace the dip-switch to the desired configuration. That's all. (See the programming codes table)

Programming codes table

Código	Función		
0	---	3	2 Tones
1	0 Tones	4	3 Tones
2	1 Tone	5	4 Tones
6	"Remote Door Opener". A push-button connected to the "Doorbell" terminals of the module of connections, will work as the (⓪) key of the monitor. If enabled, the "Doorbell" function will be disabled.		
7	"Automatic Door Opener". It allows the user to set the monitor in a mode that automatically opens the door if it is called. See "User Settings".		
8	The AUX button, previously used to manage a 2nd door, changes its function to contro the AUX2 (ON/OFF) output of the COMPACT 2H PLUS Connection Module.		
255	Default settings		

User settings

To enter this mode, the user must pick the handset up and keep the AUX key pressed until the LED flashes red (around 3s). At this point, the user can:

- Does nothing. The monitor will return to STAND BY by mode in 30s.
- Press (⓪). This will enable/disable the "Open Door Alarm". If it has been enabled, the LED will flash green. Otherwise, the LED will flash red. It is possible to cancel a local open door alarm pressing (⓪) in STAND BY mode.
- Press (⓪). This will enable the "Privacy mode" (no ringing tones) for 2, 4 or 8 hours. We'll know the selected time because the led will flash 1, 2, or 3 times during the configuration, and also in STAND BY mode.
- Press (⓪). This will enable the "Automatic Door Opener" (the monitor will automatically open the door when a call is received) during 4 hours. This option must be previously enabled by the installer. If it has been enabled, the LED will flash green. If it has been disabled, the LED will flash red. If the LED does nothing, means the installer didn't enable this option for you.