

auta

DIGITAL _ ANALOG



REF. 715703

- ES Alimentador ALV-2.5A
- EN Power Supply Unit ALV-2.5A

auta
Bringing people together

auta

DIGITAL _ ANALOG



REF. 715703

- ES Alimentador ALV-2.5A
- EN Power Supply Unit ALV-2.5A

auta
Bringing people together

auta

DIGITAL _ ANALOG



REF. 715703

- ES Alimentador ALV-2.5A
- EN Power Supply Unit ALV-2.5A

auta
Bringing people together

auta

DIGITAL _ ANALOG



REF. 715703

- ES Alimentador ALV-2.5A
- EN Power Supply Unit ALV-2.5A

auta
Bringing people together

Entrada
Input 85-264 Vac 47-63 Hz
1.2A (115Vac) 0.8A (230Vac)

Salida
Output 24Vdc 2.5A 60W

Temperatura
Temperature -30° / +70°

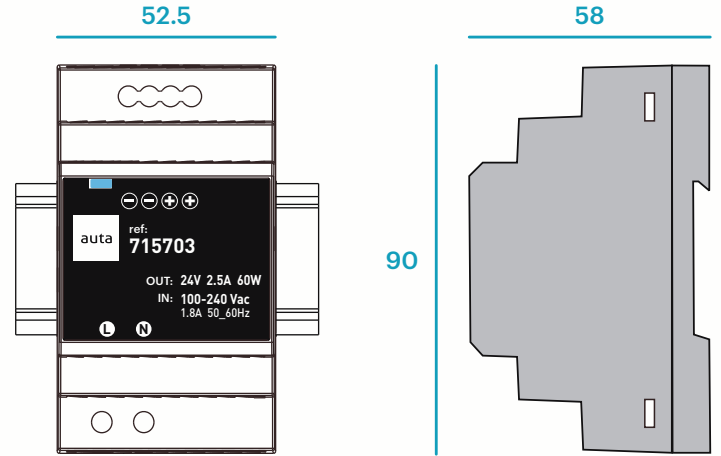
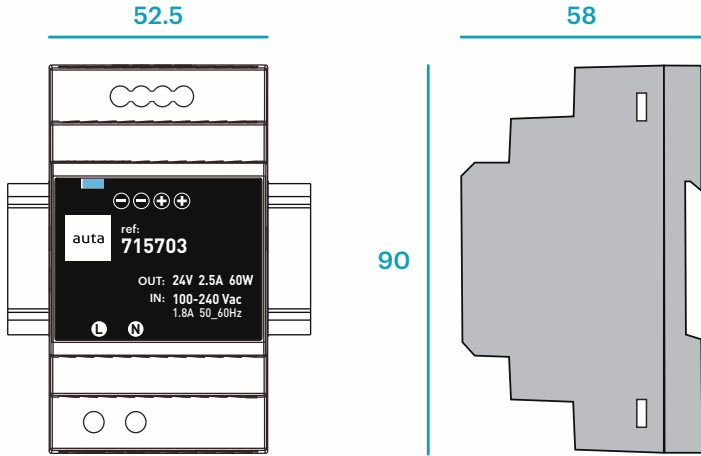
Montaje
Mounting **Carril DIN o Superficie**
DIN carril or Surface

Entrada
Input 85-264 Vac 47-63 Hz
1.2A (115Vac) 0.8A (230Vac)

Salida
Output 24Vdc 2.5A 60W

Temperatura
Temperature -30° / +70°

Montaje
Mounting **Carril DIN o Superficie**
DIN carril or Surface



Entrada
Input 85-264 Vac 47-63 Hz
1.2A (115Vac) 0.8A (230Vac)

Salida
Output 24Vdc 2.5A 60W

Temperatura
Temperature -30° / +70°

Montaje
Mounting **Carril DIN o Superficie**
DIN carril or Surface

Entrada
Input 85-264 Vac 47-63 Hz
1.2A (115Vac) 0.8A (230Vac)

Salida
Output 24Vdc 2.5A 60W

Temperatura
Temperature -30° / +70°

Montaje
Mounting **Carril DIN o Superficie**
DIN carril or Surface

