

auta

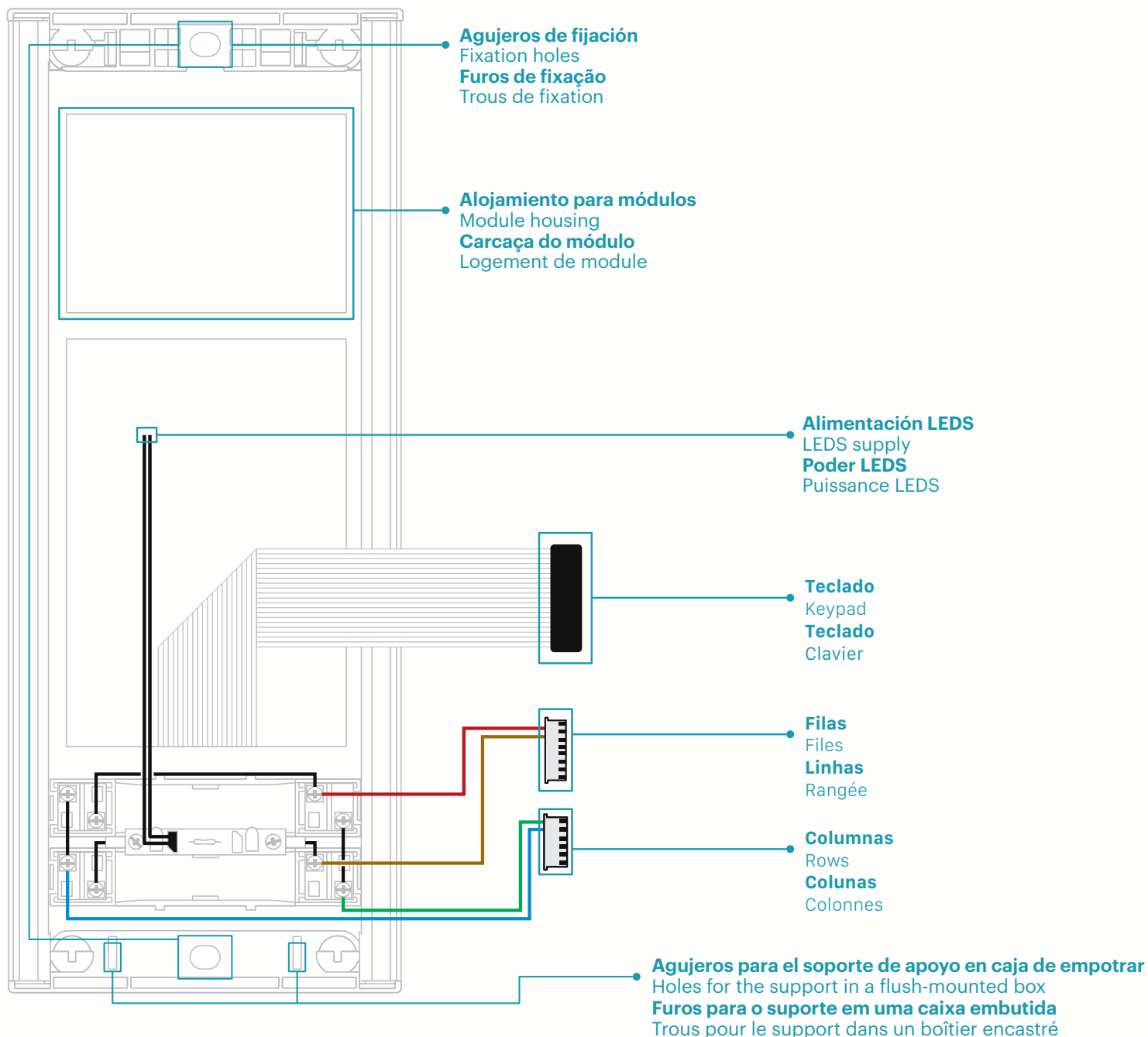
DIGITAL



- ES** Placa Compact, DIGITAL ALFANUMÉRICA
- EN** Compact panel, DIGITAL ALPHANUMERIC
- PT** Placa Compact, DIGITAIS ALFANUMÉRICO
- FR** Plaque Compact, DIGITALE ALPHANUMÉRIQUE

auta

Bringing people together

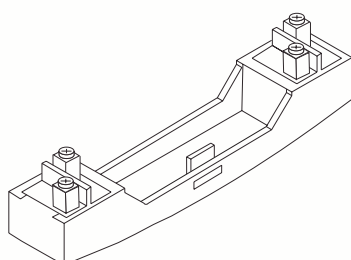


Colocar información en el tarjetero

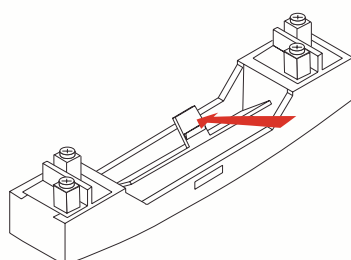
Place information in the cardholder

Coloque as informações no titular do cartão

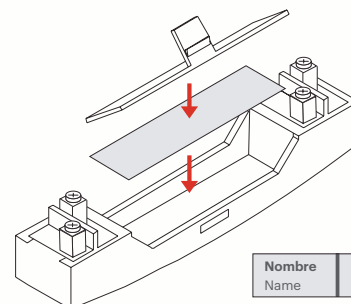
Placez les informations dans le titulaire de la carte



1



2



3