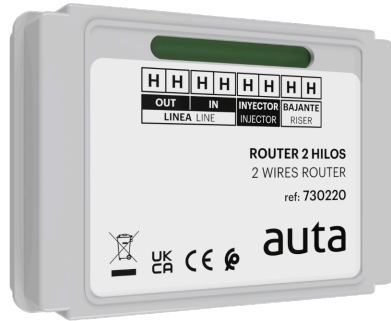


auta



REF: 730220

ES ROUTER 2 HILOS

EN 2 WIRES ROUTER

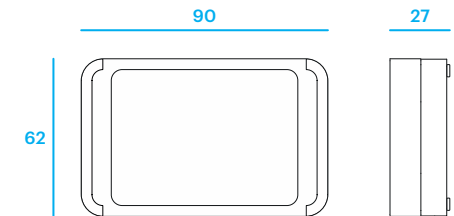
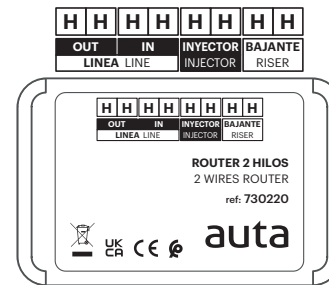
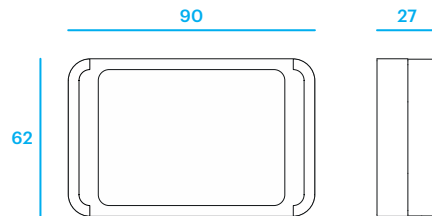
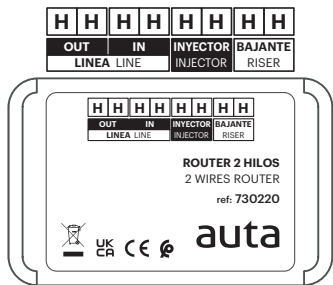
auta



REF: 730220

ES ROUTER 2 HILOS

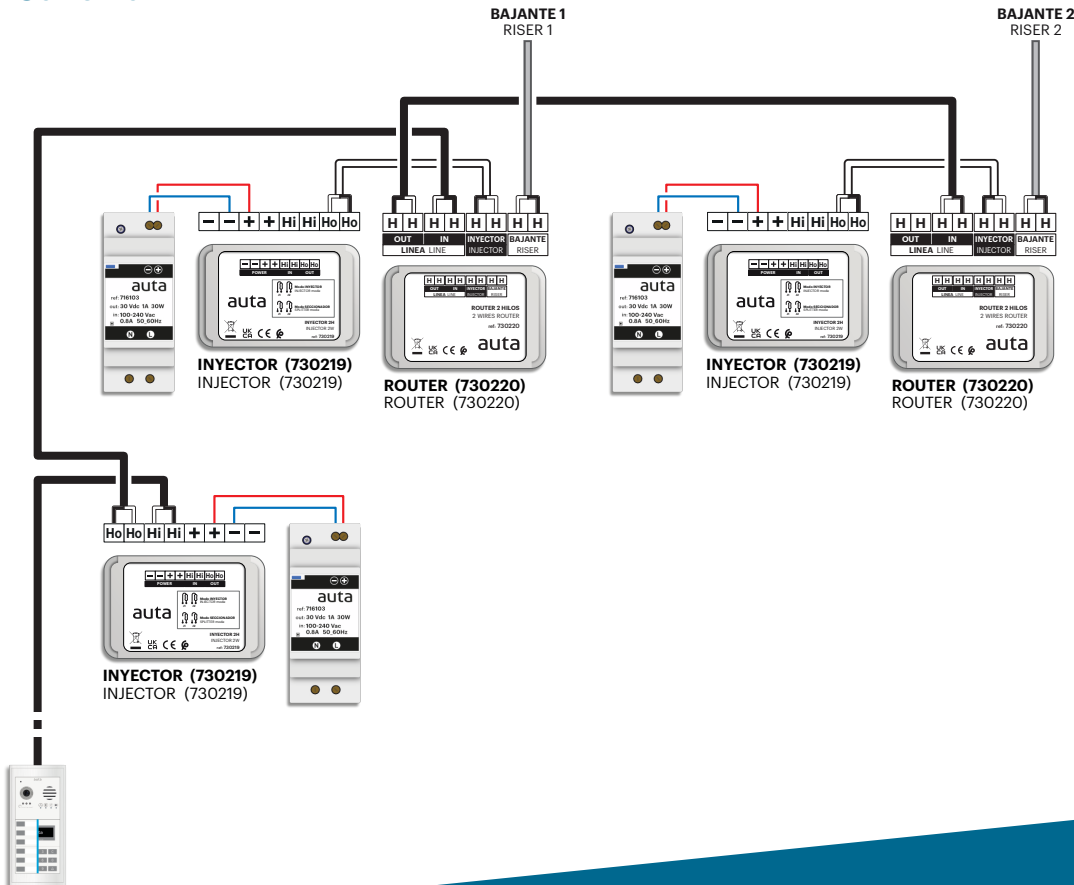
EN 2 WIRES ROUTER



Descripción Description

OUT LINEA LINE	H	BUS 2H SALIDA SIGUIENTE ROUTER (canal A)	2W BUS OUTPUT NEXT ROUTER (channel A)
	H	BUS 2H SALIDA SIGUIENTE ROUTER (canal B)	2W BUS OUTPUT NEXT ROUTER (channel B)
IN LINEA LINE	H	BUS 2H ENTRADA PLACA O ENTRADA ROUTER PREVIO (canal A)	2W BUS INPUT PANEL OR PREVIOUS ROUTER (channel A)
	H	BUS 2H ENTRADA PLACA O ENTRADA ROUTER PREVIO (canal B)	2W BUS INPUT PANEL OR PREVIOUS ROUTER (channel B)
INYECTOR INJECTOR	H	BUS 2H ENTRADA DE ALIMENTACIÓN (canal A)	2W BUS POWER INPUT (channel A)
	H	BUS 2H ENTRADA DE ALIMENTACIÓN (canal B)	2W BUS POWER INPUT (channel B)
BAJANTE RISER	H	BUS 2H SALIDA BAJANTE (canal A)	2W BUS OUTPUT RISER (channel A)
	H	BUS 2H SALIDA BAJANTE (canal B)	2W BUS OUTPUT RISER (channel B)

Conexión Connection



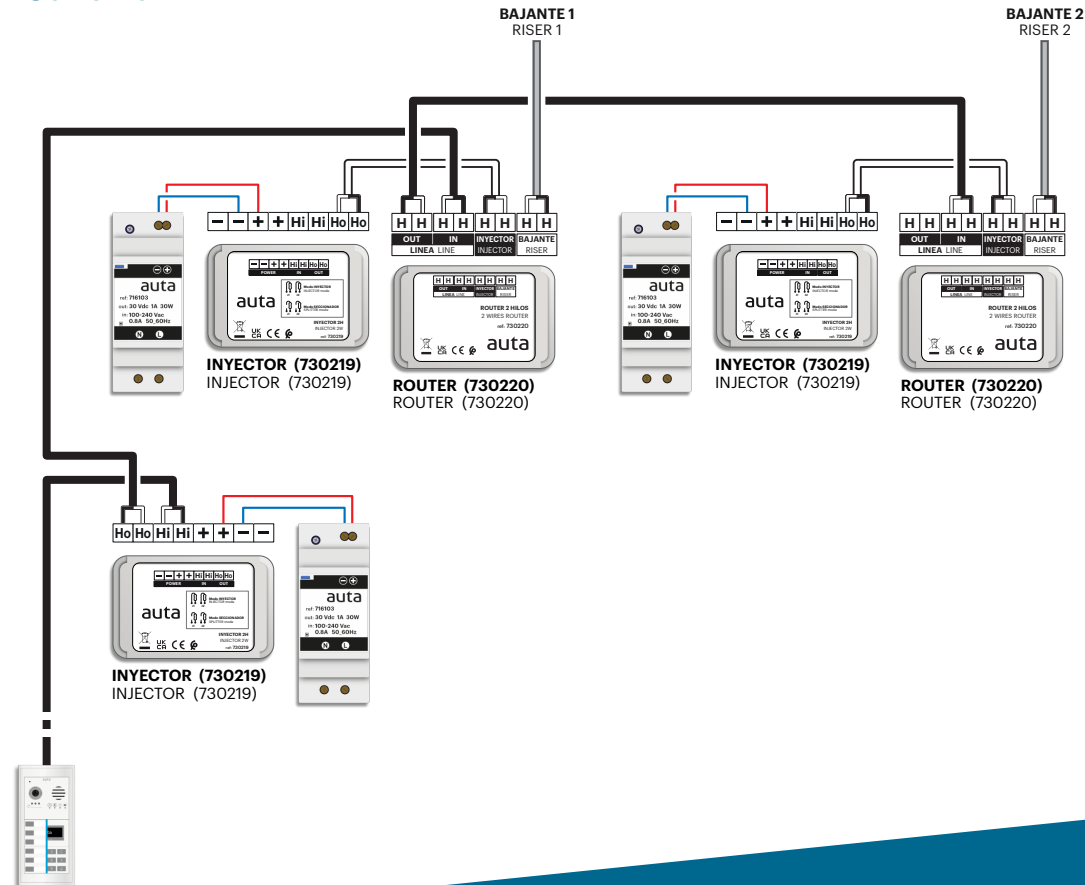
auta

Bringing people together

Descripción Description

OUT LINEA LINE	H	BUS 2H SALIDA SIGUIENTE ROUTER (canal A)	2W BUS OUTPUT NEXT ROUTER (channel A)
	H	BUS 2H SALIDA SIGUIENTE ROUTER (canal B)	2W BUS OUTPUT NEXT ROUTER (channel B)
IN LINEA LINE	H	BUS 2H ENTRADA PLACA O ENTRADA ROUTER PREVIO (canal A)	2W BUS INPUT PANEL OR PREVIOUS ROUTER (channel A)
	H	BUS 2H ENTRADA PLACA O ENTRADA ROUTER PREVIO (canal B)	2W BUS INPUT PANEL OR PREVIOUS ROUTER (channel B)
INYECTOR INJECTOR	H	BUS 2H ENTRADA DE ALIMENTACIÓN (canal A)	2W BUS POWER INPUT (channel A)
	H	BUS 2H ENTRADA DE ALIMENTACIÓN (canal B)	2W BUS POWER INPUT (channel B)
BAJANTE RISER	H	BUS 2H SALIDA BAJANTE (canal A)	2W BUS OUTPUT RISER (channel A)
	H	BUS 2H SALIDA BAJANTE (canal B)	2W BUS OUTPUT RISER (channel B)

Conexión Connection



auta

Bringing people together